

Mega 86W

The Solution for Demanding Applications



ECOCLEAN

technology that inspires

Mega 86W

Increased manufacturing productivity and quality requirements drive cleaning applications to meet higher standards. When throughputs are high and fine cleaning is the goal, the Mega 86W multi-stage aqueous immersion system offers unmatched capabilities. Operating costs are reduced

through the Mega 86W's isolated treatment chambers. The design offers optimal bath and solution lifetimes. Flexible processing options and features make the Mega 86W ideal for cleaning mass-produced bulk components and for fine cleaning of injection system parts or medical components.

Equipment and process

- Multi-stage washing and rinsing process with hot-air drying
- Area-coverage cleaning due to immersion cleaning process
- Parts baskets can be rotated, oscillated, raised and lowered in order to support the cleaning and drying effect
- Automatic parts basket lid placement
- All stainless steel pipework
- Waste water-free operation due to integrated treatment unit AQUACLEAN
- Throughput can be increased with extra rotation frames
- Conveyor unit is driven by maintenance-free servo motors
- Custom programming of process sequences
- Error diagnosis via plain text display on operator control panel
- Closed system housing with large sliding doors for optimum access
- Automatic conveyor

Optional extras

- Extra rinsing baths
- Filtration units
- Injection flood washing
- Ultrasonic unit
- Vacuum drying
- Deionization system for rinse water treatment
- Settling tank
- Micro filtration for additional bath treatment
- Automatic dosing unit
- Measuring technology for the monitoring of the rinsing bath quality
- Systems for the fresh water conditioning

Technical data

OUTSIDE DIMENSIONS OF THE SYSTEM

Length	8,200 mm (4 bath)
Width	2,700 mm
Width with automatic conveyor	3,800 mm
Height	3,200 mm
Total weight filled	11,000 kg

BASKET

Length max.	670 mm
Width max.	480 mm
Height max.	300 mm
Batch weight max.	200 kg
Throughput depending on work sequence and treatment time required	approx. 8–18 batches/h

Connected load	3 x 400 V/50 Hz
-----------------------	-----------------

TOTAL LOAD

According to equipment	104–130 kW
-------------------------------	------------

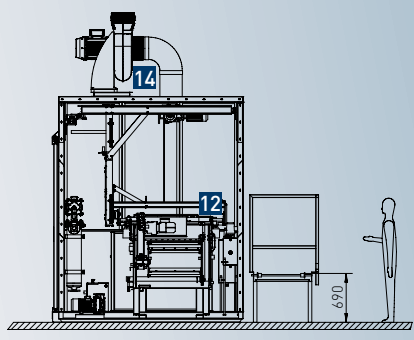
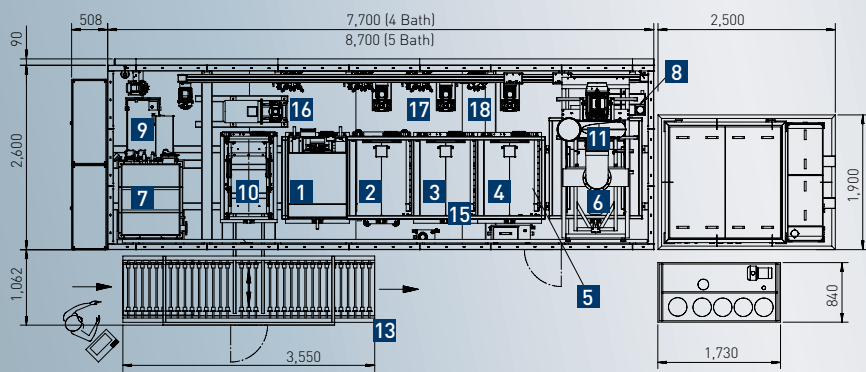
Bath capacity	approx. 550 l each
----------------------	--------------------

WORKING TEMPERATURE

Washing, rinsing	50–75 °C
Drying temperature	130 °C



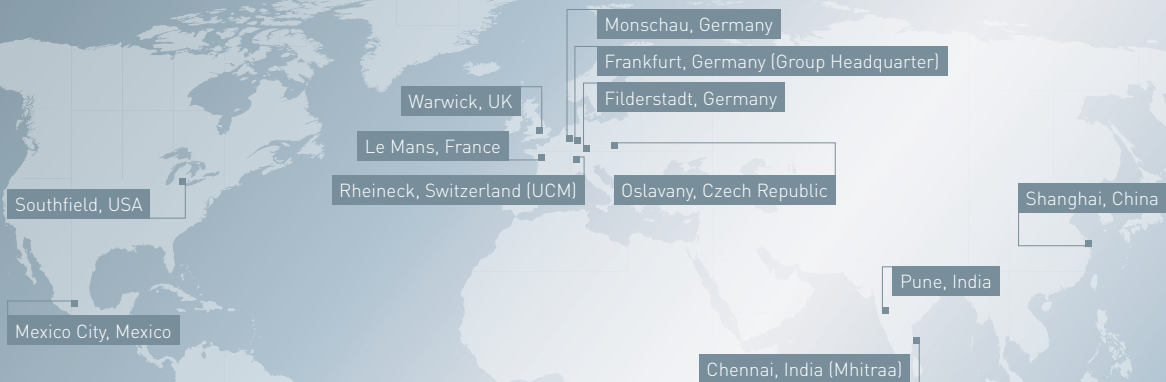
- + Waste water-free during operation
- + Maximum bath life due to continuous treatment
- + Minimum energy input due to heat recovery
- + Low consumption of cleaning media
- + Flexible adaptation to throughput and cleaning quality



- | | | |
|--------------------------------|--------------------------------------|--------------------------------------|
| 1 to 4 Bath 1-4 | 9 Oil separator | 14 Suction |
| 5 Bath 5 (OPTION) | 10 Frame loader | 15 Ultrasound (OPTION) |
| 6 Circulating air dryer | 11 Trolley | 16 IFW-unit |
| 7 AQUACLEAN | 12 Actuator with rotary frame | 17 Bag filtration |
| 8 Condensate tank | 13 Autom. conveyor | 18 Candle filtration (OPTION) |



Our Locations Worldwide



© SBS Ecoclean Group • 07/2018 • EN • Subject to change. The information in this brochure contains only general descriptions or performance characteristics which may vary in actual cases. The requested performance parameters shall be binding only if they are explicitly agreed within the sales contract.

SBS ECOCLEAN GROUP

www.ecoclean-group.net