

LabServ®

Multi-pupose Vortexer

One mixing head for a variety of tube sizes makes the LabServ vortexer, the most functional unit for a range of applications requiring gentle mixing to high speed vortexing. This innovative product eliminates the need to swap out head units with a patent pending mixing head that accommodates six tube sizes (0.2, 0.5, 1.5/2, 5, 15, 50 mL), a standard assay plate and includes a center pad area that can be used for quick touch operation. Innovative head can be removed for cleaning purposes.

- Variable speed rotary dial provides pre-set speed control (1000, 2000, 3000 rpm) during vortex mixing
- Stable elastomeric device feet, provide vibration dampening and prevent movement during operation
- Holding slots for no less than seven different sizes of tubes and a standard assay plate
- Innovative head can be removed for cleaning
- High impact ABS body shell
- US Design Patent No. D787,085

Specifications

Speed Range:	Variable 1000-3000 rpm (shaking to vortexing)
Orbit:	3.7 mm
Control:	3 position slider — (top) intermittent, (middle) off, (bottom) continuous
Weight:	8.66 Lb/3.93 Kg
Dimensions:	171w x 190d x 197h mm (6.67w x 7.41d x 7.68h in.) (with mixing head in place)
	SGS-US-C, CE, CB Scheme, RoHS 2, PSE, and WEEE compliant
Two-year warranty	





6 Different Sizes of Tubes
Including standard assay plate



Center pad area for hand held mixing



Assay plate x 1
(to be used with retention cords)



50 mL conical tubes x 2
(horizontally mounted)



15 mL conical tubes x 2
(horizontally mounted)



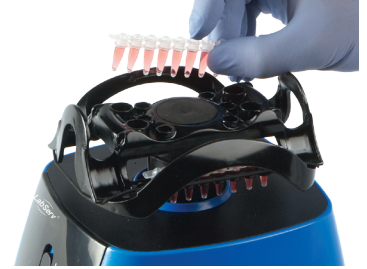
5 mL tubes x 2
(horizontally mounted in the same retention space as 15 mL)



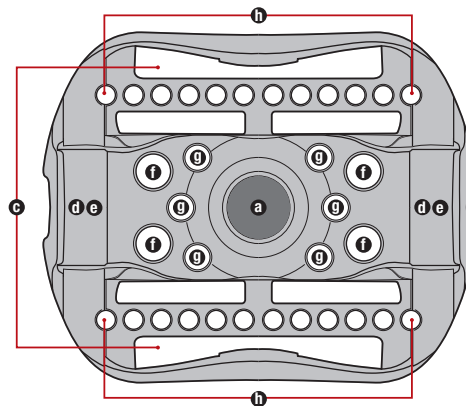
1.5/2 mL microfuge tubes x 4
(vertically mounted)



0.5 mL microfuge tubes x 6
(vertically mounted)



0.2 mL microfuge tubes
(strip tubes) x 24
(vertically mounted)



- a. Center pad area for hand held mixing
- b. Assay plate
- c. 50 mL conical tubes
- d. 15 mL conical tubes
- e. 5 mL tubes
- f. 1.5/2 mL microfuge tubes
- g. 0.5 mL microfuge tubes
- h. 0.2 mL microfuge tubes (strip tubes)

Part No.	Power Supply	
12-006-800	220V – 240V, 50-60 Hz, 40 Watts, UK	
FS120349LJ	100V – 110V, 50-60 Hz, 52 Watts, Japan	

