

**HAIMER®**  
Quality Wins.

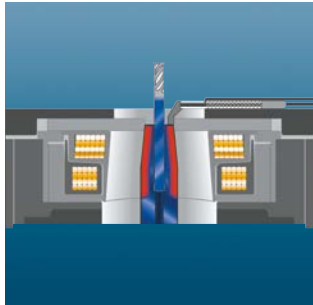
# POWER CLAMP

## SHRINK FIT TECHNOLOGY



[www.haimer-usa.com](http://www.haimer-usa.com)

CONTENTS



<b>Power Clamp</b>	<b>Page</b>
Power Clamp Advantages	3
Coil Technology	4
Contact Cooling	5
Power Clamp System: Basic Line/Profi Line/Premium Line	6
Amortization	
HAIMER Power Clamp	7
Power Clamp Basic Line	8–9
Power Clamp Profi Line: The Modular System	10
Power Clamp Profi Line	
Power Clamp Economic/NG	14
Power Clamp Profi Line	
Power Clamp Economic Plus/NG	15
Power Clamp Profi Line	
Power Clamp Comfort/NG	16
Power Clamp Profi Line	
Power Clamp Profi Plus NG	
Power Clamp Preset NG	17
Power Clamp Premium Line	
Power Clamp Premium/NG	18
Power Clamp Premium Line	
Power Clamp Premium Plus	19
Carts and Inserts	20
Base Holder	21
Chuck Support	22–26
Chuck Support for ER Shrink Fit Collets	27
Easy Set	
Simple Presetting	28
Quick Set	
Length Presetting	29
Cooling Adapter and Cooling Adapter Blanks	30
Mini Shrink Shrink and Cooling Sleeves	31
TME Cooling System with Temperature Control	32
Tension Springs for Length Presetting for Shrink Fit Chucks	33
Shrink-Out Device	34
Shrink Fit Brush	35
Reduction Sleeves for Shrink Fit Chucks	36
Auxiliary Fume Extraction Unit	36
Upgrade Kit 13 kW HD Coil	37
Stop Discs	38

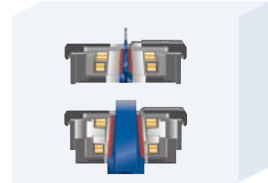
# POWER CLAMP ADVANTAGES

## The five most important reasons for HAIMER shrinking technology

1.

### For $\varnothing$ 1/8"–2" (3–50 mm) for solid carbide and HSS tools

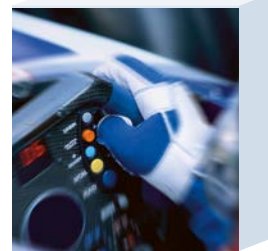
- Shrinking range for Power Clamp Mini and Power Clamp Nano 1/8"–2" (3–16 mm)



2.

### Shrinking and cooling in record time

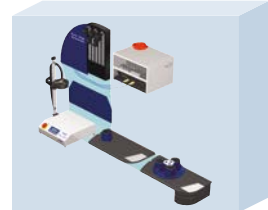
- Tool change at the touch of a button
- Water-cooled cooling bodies
- Concentrated cooling efficiency due to contact cooling
- Even cooling: No material deformation



3.

### Universal shrinking technology with flexible modular system

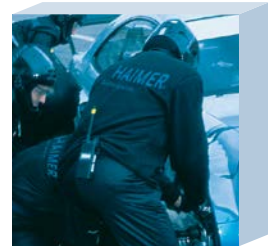
- Suitable for all applications
- Also for extremely long tools



4.

### Handling adapted to workshop practices

- Optimum protection against burning
- Hot parts need not be taken into the hand
- No heating of the taper
- No heating of the tool
- Easy handling



5.

### Minimal heating due to manual operation

- Long life of the chuck
- Short cooling rate
- Low energy consumption due to precisely metered energy supply



See the HAIMER Power Clamp Shrink Fit System in Action:

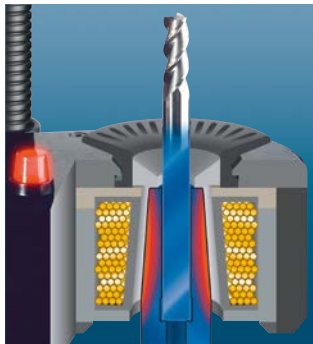


## COIL TECHNOLOGY



### Coil technology

The induction coil is the core of inductive shrink fit technology. HAIMER has been the leading developer of inductive shrink fit technology for tool holders for years. A number of patents, predominantly in the field of induction coils, is the visible proof of our innovation and advancement.



### Standard coil

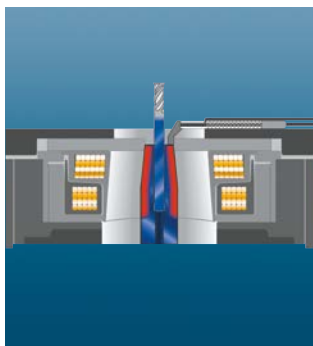
The standard coils have been proven for years with interchangeable stop disks. All shrink fit chucks with a diameter of 1/8" – 1 1/4" (3 to 32 mm) can be heated with a single coil. Just 5 stop disks are enough to adapt the coil to each chuck, from the smallest to the largest.

Standard coil



### NG coils (New Generation)

The intelligent NG coils are particularly flexible and comfortable. They are adjustable. With one turn, you can set the coil to the size of the shrink fit chucks, both in length and diameter. Stop disks are no longer necessary. This means the chuck is only heated where it is intended. Even with special sizes.



NG coil

### Power electronics

The second component of shrink fit technology is power electronics. It supplies the coil with power. Frequency and current must be exactly coordinated with one another to do this. Heating must take place within seconds, without overheating the chuck. A specially developed procedure for power regulation makes sure this is the case, independent of the main voltage. HAIMER offers shrink fit equipment with an output of 3 to 20 kW.

### Operation

Equally decisive for the success of an investment is its acceptance among your employees. A machine, which is used happily and frequently, pays for itself within a short period of time. HAIMER shrink fit equipment can be equipped for any purpose and need. From a simple device with one shrink fit station and no cooling, up to fully equipped machines with rotary table, integrated contact cooling and system cart.

## CONTACT COOLING



### Contact Cooling

The patented cooling system from HAIMER is the quickest and cleanest method of cooling shrink fit chucks.

There is a suitable cooling body for every chuck.

The cooling body sits with the surface contact on the chuck and removes the heat from it.

A water cycle cools the cooling body in turn.

The cooling procedure takes place completely evenly and gently.

There is no deformation of the chuck. The runout accuracy is preserved.

The chucks do not come into contact with the water.

They remain dry and do not rust.

The work place also remains clean and dry.

### Cooling body for rapid cooling

- Cooling in record time: approx. 30 sec.
- Tool holders remain dry
- No build-up of rust
- No time lost through drying process
- Even cooling, runout accuracy is maintained
- Hot points are always covered, no risk of injury
- Hot parts need not be touched
- Gentle handling of chuck, no shocking
- No heating of cooling body, even after lots of shrink fit procedures: heat is removed with contact cooling
- 5 cooling bodies for all standardized chucks
- No messy water = a clean work space

**HAIMER has the right Shrink fit technology for any need.**

**Take advantage of the largest range of shrink fit equipment and coils in the world.**



#### **Basic Line: Concentrating on the basics.**

The Basic Line is the economical entrance into inductive shrink fit technology. The power electronics enables problem free shrinking. The mechanical construction of the equipment has, on the other hand, been kept deliberately simple and functional. There are just single chuck solutions.

The Basic Line equipment is exclusively designed for operation with standard coils. It is not possible to upgrade.

The Basic Line is ideal for the price-conscious user, who only wants to shrink a few tools on a daily basis.

For micro machining purposes the special horizontal shrink fit unit Power Clamp Nano is part of the program. It combines perfectly easy tool handling of small diameters and fast tool exchange.



#### **Profi Line: Modular Versatility.**

The Profi Line offers the full range of performance and is unbeatable in efficiency. High performance coils, contact cooling and rotary table guarantee simultaneous shrinking and cooling in record time. No wishes remain unfulfilled.

The machines of the Profi Line work with both the standard coils and the intelligent and comfortable NG coils. Of course, the equipment recognizes each coil and chooses the correct shrink fit parameters automatically.

The shrink fit units of the Profi Line form a modular system. The start-up machine Power Clamp Economic can gradually be upgraded to the high-end unit Power Clamp Comfort NG.



#### **Premium Line: Perfection in detail.**

The Premium Line is the series for highest demands.

The shrink fit machines of this line are perfectly suitable for users relying on this clamping technology due to its various advantages and accordingly having many shrink fit jobs a day.

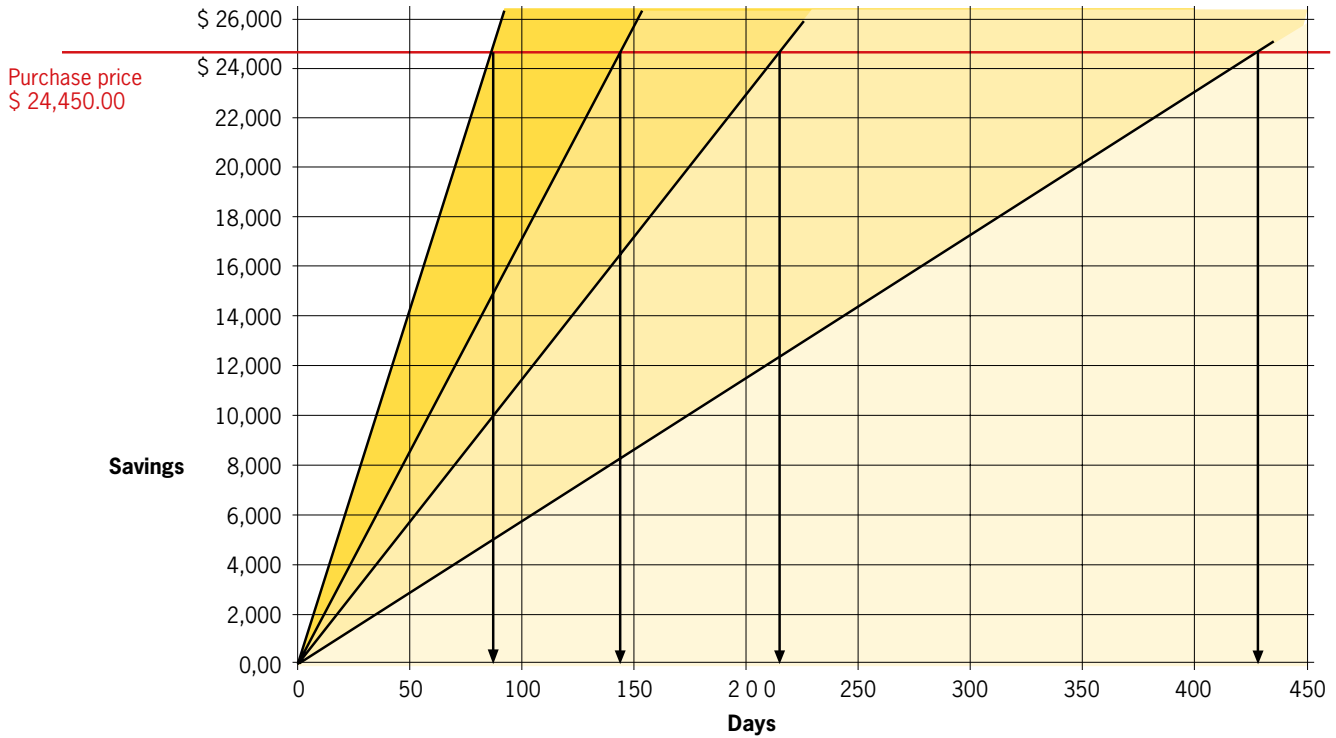
The idea of fixed cooling stations equipped with guided cooling bodies of different diameter simplifies the handling of these high-end machines.

The aspect of service and safety is considered intensively for the Premium Line, too, as the cool-down process is terminated temperature controlled automatically.

The Power Clamp Premium series is a modular system and the machines are to be configured up on request.

## AMORTIZATION HAIMER POWER CLAMP

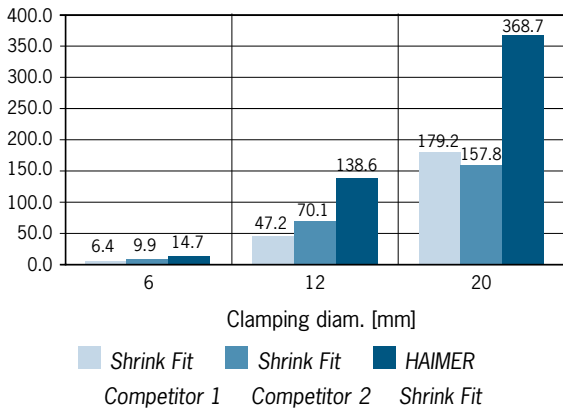
The following diagram shows the amortization of the Power Clamp Comfort NG with Speed Cooler in relation to the number of shrink cycles per day.



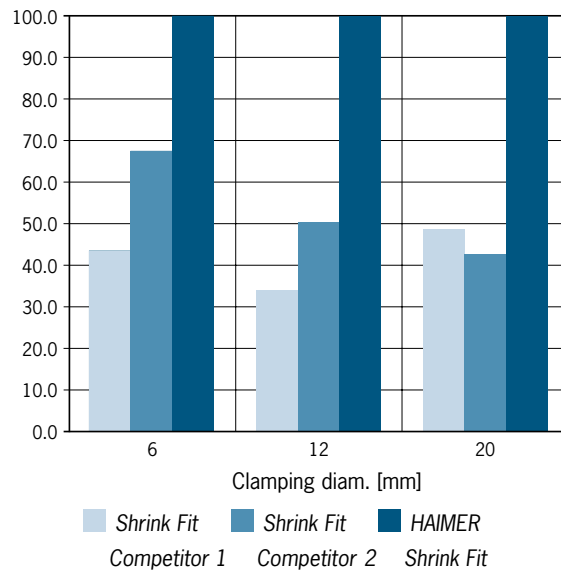
Time Savings: 5 min. per cycle  
 Cost per Employee/Hour: \$ 50.00/h

### Gripping Torque Data:

Clamping torque, absolute values [ft/lb]



Clamping torque, percentage (HAIMER = 100%)



POWER CLAMP NANO

Simple shrink fit machine for small tools.

- Power: approx. 13 kW
- Mains voltage: 3x400-480V, 16 A
- Tools: solid carbide and HSS from  $\varnothing 1/8'' - 5/8''$  (3-16 mm)
- Easy tool handling by horizontal shrinking



Stop disc



Chuck support for tool holders with bajonet clamping



Calibration adapter for length presetting (optional)  
For presetting of the measuring device



Clips for tools (optional)  
For safest and precise handling of high quality carbide tools - especially for smaller diameters



Air cooling  
Cooling by compressed air, regardless of contour and safest handling for small tool holders

Length presetting  
Horizontal length presetting unit  
Tolerance 0.05 mm

Technical details		Order No.
<b>Power Clamp Nano</b>		<b>80.160.01.3</b>
Mains voltage	3x400-480 Volt, 16 Ampere, 13 kW	
Tools	solid carbide and HSS	
Tool diameter	1/8" - 5/8" (3-16 mm)	
Maximum length of shrink fit chuck with tool	230 mm	
Dimensions WxDxH	630x510x630 mm	
Weight	75 kg	
Accessories		
<b>Chuck support for Power Clamp Nano</b>		<b>See page 22</b>
<b>Power Clamp Nano Air Cooling</b>		<b>80.164.00</b>
<b>Length presetting</b>		<b>80.165.00</b>
<b>Clips for tools for length presetting</b>	$\varnothing 3\text{mm}$ $\varnothing 4\text{mm}$ $\varnothing 5\text{mm}$ $\varnothing 6\text{mm}$ $\varnothing 8\text{mm}$ $\varnothing 10\text{mm}$ $\varnothing 12\text{mm}$	
<b>Order No. 80.166...</b>	<b>...03</b> <b>...04</b> <b>...05</b> <b>...06</b> <b>...08</b> <b>...10</b> <b>...12</b>	
<b>Set of clips incl. plate</b>		<b>80.166.00</b>

Technical data subject to change without prior notice



POWER CLAMP BASIC LINE



POWER CLAMP MINI

Standard shrink fit device for all tools (solid carbide and HSS).

- Power: approx. 10kW
- Mains voltage: 3 x 380–480 V, 16A
- Tools: solid carbide and HSS from  $\varnothing$  1/8"–5/8" (3–16 mm)
- 1 base holder included
- 1 chuck support included



POWER CLAMP BASIC

Standard shrink fit device for all tools (solid carbide and HSS).

- Power: approx. 10kW
- Mains voltage: 3 x 400–480 V, 16A
- Tools: solid carbide and HSS from  $\varnothing$  1/8"–1 1/4" (3–32mm)
- 1 base holder included
- 1 chuck support included

Technical details		Order No.
<b>Power Clamp Mini</b>		<b>80.143.00</b>
Mains voltage	3x380–480 Volt, 16 Ampere, 10 kW	
Tool diameter	$\varnothing$ 1/8"–5/8" (3–16 mm)	
Maximum length of shrink fit chuck	350 mm	
Dimensions WxDxH	650x900x600 mm	
Weight	45 kg	
<b>Power Clamp Basic</b>		<b>80.150.00</b>
Mains voltage	3x400–480 Volt, 16 Ampere, 10 kW	
Tool diameter	1/8"–1 1/4" (3–32mm)	
Maximum length of shrink fit chuck	350 mm	
Dimensions WxDxH	650x900x600 mm	
Weight	45 kg	

Accessories		
<b>Chuck support for single-chuck system</b>		<b>See page 23</b>

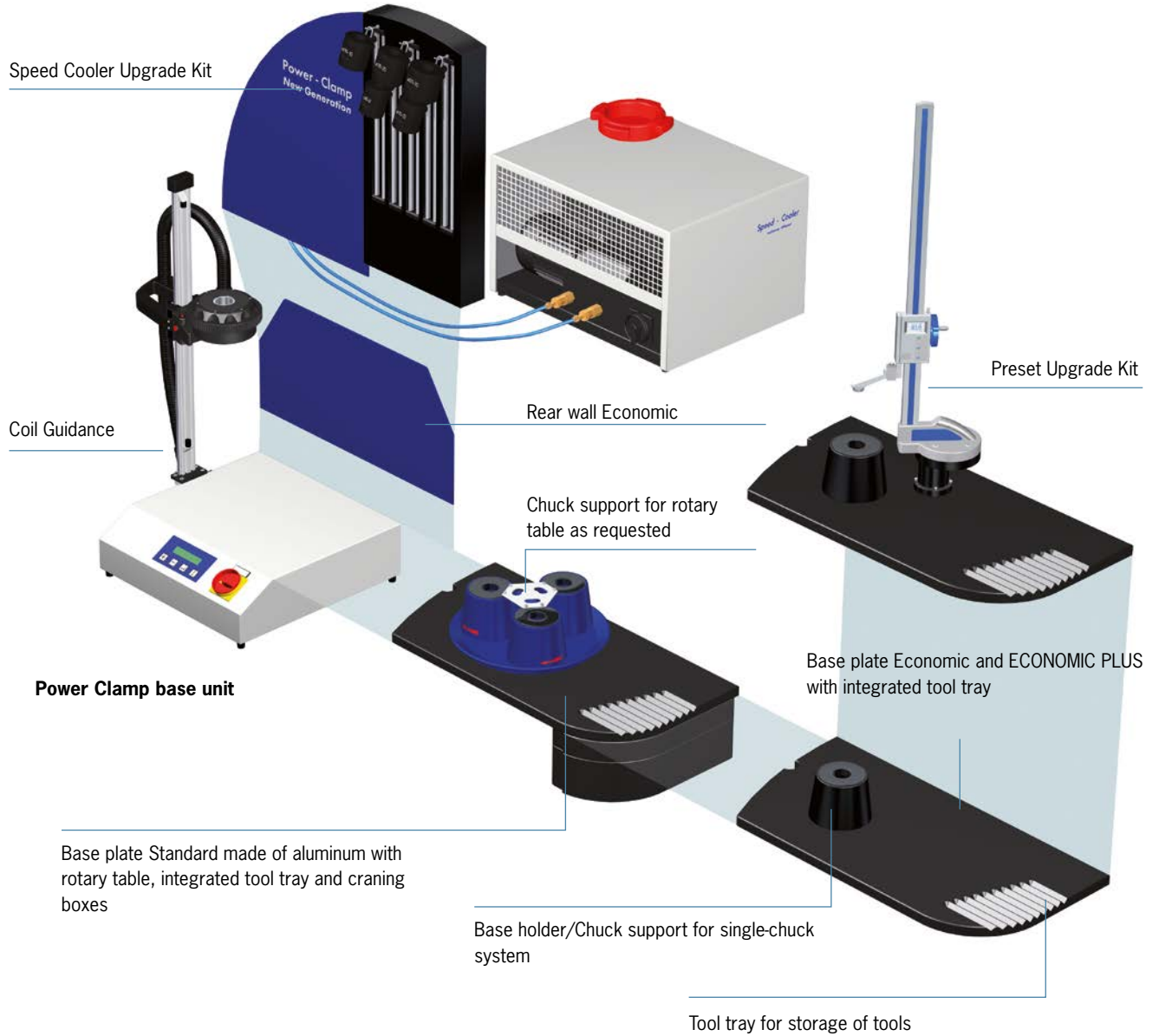
Technical data subject to change without prior notice

**POWER CLAMP PROFI LINE  
THE MODULAR SYSTEM**

The Profi Line from HAIMER is the very latest in shrink fit technology. Even starting with the economical start-up, Power Clamp Economic, the door is open for professional tool clamping.

**Step by step more shrink fit technology.**

The base unit can be combined with two rear walls and two base plates. The chuck support for the rotary table will be supplied as requested.



Power Clamp		Order No.
Speed Cooler upgrade kit (=Power Clamp Economic Plus) – Expansion Plane 1	Speed Cooler with rear wall incl. 5 cooling bodies	80.115.01
Rotary table upgrade kit (= Power Clamp Comfort) – Expansion Plane 2	Base plate with rotary table for 3 chucks incl. side drawers (For a full Comfort machine, both expansion planes #1 and #2 are required)	80.116.00
Upgrade Kit Preset	Measuring plate, height gage, 2 precision base holder incl. side drawers	80.117.00

POWER CLAMP PROFI LINE PROGRAM



**An ideal entry-level shrink machine:  
Tomorrow's technology.**

A start into modern shrink fit technology: State of the art coil technology at low costs. The question is not "Should I invest in shrink fit technology" but rather "When will I invest in shrink fit technology". It is now time to invest in the technology of the future.

**Our modular system offers the ideal start-up solution.**

**Power Clamp Economic NG** without cooling, without rotary table, with integrated tool tray



**Power Clamp Economic Plus NG** with cooling, without rotary table, incl. 1 base holder and 1 chuck support, with integrated tool tray



**Power Clamp Comfort NG** with cooling, rotary table, 1 chuck support, integrated tool tray and craning boxes



**Power Clamp Profi Plus NG**  
**High powered shrink fit machine**

- Heating power 20 kW
- For shrinking of tools from  $\varnothing$  1/8"-2" (3-50 mm)
- For HSS- and solid carbide tools
- Big coil for  $\varnothing$  1 1/2"-2" (40-50 mm) optional
- Incl. rotary table and chuck support
- Incl. tool tray
- With craning boxes for accessories

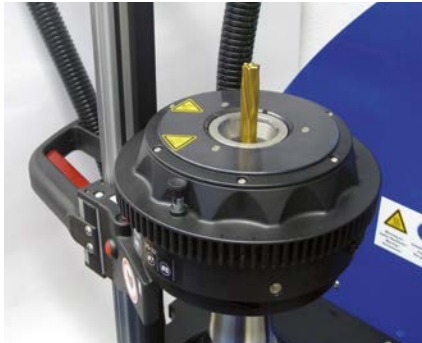
**Technical details**

<b>Basic unit Comfort</b>	3x 400-480 Volt, 16A, 13 kW
Maximum length of shrink fit chuck (longer chucks upon request)	510 mm
Dimensions WxDxH	860x600x990 mm
Weight	70 kg
<b>Speed Cooler unit</b>	230 Volt/50 Hz, 1 kW
Dimensions	565x450x320 mm
Weight	45 kg

# HAIMER POWER CLAMP NEW GENERATION INDUCTIVE SHRINK FIT MACHINE

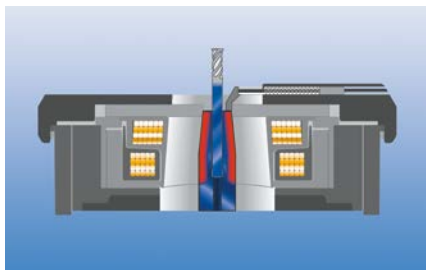
**Intelligent patented coil technology:**

The coil adjusts itself to the chuck in length and diameter. Therefore only the shrinking area of the chuck will be warmed – nothing else. Shrinking and cooling will be much faster.

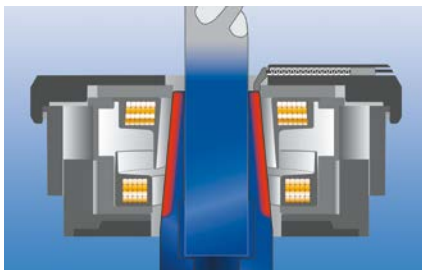


**Even more efficiency, more flexibility, easier handling.**

- Coil adjusts itself to the chuck
- Perfect magnetic flow due to length adjustment of the coil
- Optimal heat distribution due to length adjustment of the coil
- Lower chuck warming
- Shorter shrinking time
- Shorter cooling time
- Simple operation
- No contact discs necessary any more
- Suitable for T-shaped groove milling cutters
- Suitable for ultra-short chucks
- Suitable for special shape



Small tool



Big tool



**Safe, dry, fast cooling**

- Efficient: Shrink one holder while cooling another
- Water-cooled cooling bodies
- Concentrated cooling efficiency due to contact cooling
- Even cooling: No material deformation

**Single hand operation**

- Positioning of coil and regulation of heating with one hand
- Highest efficiency
- Minimum heating of the chuck

**The turning table**

- Work fast and efficient
- Heating and cooling at the same time on 2 stations
- No idle periods



**Chuck support for 3 chucks**

- For all actual tapers
- Also different tapers combined possible

**Cooling bodies for rapid cooling**

- Chucks remain dry
- No rust
- Hot spots always covered, no danger of injury
- Hot parts need not to be taken into the hand

**The display**

- User-friendly operating panel
- Clear, compact and easy to handle

**The tool tray**

- For laying down cutting tools
- Integrated in base plate

**The craning boxes**

- For accessories
- Everything close at hand

**The system cart**

- For a clearly arranged and ergonomic work place

**The drawer**

- Optional profiled inserts for accessories
- Everything in its place



Picture shows Power Clamp Comfort with accessories and system cart

POWER CLAMP PROFI LINE:  
START-UP MODEL



POWER CLAMP ECONOMIC

**High performance shrink fit machine for all tools.**

- With standard coil
- Single chuck version
- Without cooling
- With 1 base holder
- With 1 chuck support

- Power: 13 kW
- Mains voltage: 3x400–480V, 16A
- Tools: solid carbide and HSS from  $\varnothing$  1/8"–1 1/4" (3–32 mm)



POWER CLAMP ECONOMIC NG

**High performance shrink fit machine for all tools.**

- With intelligent NG coil
- Single chuck version
- Without cooling
- With 1 base holder
- With 1 chuck support

- Power: 13 kW
- Mains voltage: 3x400–480V, 16A
- Tools: solid carbide and HSS from  $\varnothing$  1/8"–1 1/4" (3–32 mm)

Technical details		Order No.
<b>Power Clamp Economic</b>		<b>80.110.00</b>
<b>Power Clamp Economic NG</b>		<b>80.110.00NG</b>
Mains voltage	3x400–480 Volt, 16 Ampere, 13 kW	
Tools	solid carbide and HSS	
Tool diameter	1/8"–1 1/4" (3–32mm)	
Maximum Length of shrink fit chuck	Economic: 510 mm/Economic NG: 570 mm	
Dimensions WxDxH	860x600x990 mm	
Weight	50 kg	
Accessories		
<b>Craning boxes</b>		<b>80.134.00NG</b>
<b>Chuck support for single-chuck system</b>		<b>See page 23</b>

Technical data subject to change without prior notice

**POWER CLAMP PROFI LINE:  
UPGRADE 1**



**POWER CLAMP ECONOMIC PLUS**

**High performance shrink fit machine for all tools.**

- With standard coil
- Single chuck version
- With integrated contact cooling and Cooling Manager
- With 1 base holder
- With 1 chuck support

- Power: 13 kW
- Mains voltage: 3 x 400–480V, 16 A
- Tools: solid carbide and HSS from  
Ø 1/8"–1¼" (3–32 mm)



**POWER CLAMP ECONOMIC PLUS NG**

**High performance shrink fit machine for all tools.**

**Upgrade to HD coil possible, for shrinking of Heavy Duty Shrink Chucks up to Ø 50 mm (optional)**

- With intelligent NG coil
- Single chuck version
- With integrated contact cooling and Cooling Manager

- With 1 base holder
- With 1 chuck support
- Power: 13 kW
- Mains voltage: 3 x 400–480V, 16 A
- Tools: solid carbide and HSS from  
Ø 1/8"–1¼" (3–32 mm)

Technical details		Order No.
<b>Power Clamp Economic Plus</b>		<b>80.110.11.3</b>
<b>Power Clamp Economic Plus NG</b>		<b>80.110.11NG.3</b>
Mains voltage	3x400–480 Volt, 16 Ampere, 13 kW	
Tools	solid carbide and HSS	
Tool diameter	1/8"–1¼" (3–32mm)	
Maximum Length of shrink fit chuck	Economic Plus: 510 mm/Economic Plus NG: 570 mm	
Dimensions WxDxH	860x600x990 mm	
Weight	70 kg	
Accessories		
<b>Craning boxes</b>		<b>80.134.00NG</b>
<b>Chuck support for single-chuck system</b>		<b>See page 23</b>

Technical data subject to change without prior notice

POWER CLAMP PROFI LINE:  
HIGH END MODELS



POWER CLAMP COMFORT

High performance shrink fit machine for all tools.

- With standard coil
- Rotary table with 3 stations
- With integrated contact cooling and Cooling Manager
- With 1 chuck support for rotary table
- Craning boxes optional

- Power: 13 kW
- Mains voltage: 3x400–480V, 16A
- Tools: solid carbide and HSS from  $\varnothing 1/8'' - 1/4''$  (3–32 mm)



POWER CLAMP COMFORT NG

High performance shrink fit machine for all tools.

Upgrade to HD coil possible, for shrinking of Heavy Duty Shrink Chucks up to  $\varnothing 50$  mm (optional)

- With intelligent NG coil
- Rotary table with 3 stations
- With integrated contact cooling and Cooling Manager
- With 1 chuck support for rotary table
- With craning boxes

- Power: 13 kW
- Mains voltage: 3x400–480V, 16A
- Tools: solid carbide and HSS from  $\varnothing 1/8'' - 1/4''$  (3–32 mm)

Technical details		Order No.
<b>Power Clamp Comfort</b>		<b>80.100.01.3</b>
<b>Power Clamp Comfort NG</b>		<b>80.100.01NG.3</b>
Mains voltage	3x400–480 Volt, 16 Ampere, 13 kW	
Tools	solid carbide and HSS	
Tool diameter	$1/8'' - 1/4''$ (3–32 mm)	
Maximum Length of shrink fit chuck	Power Clamp Comfort: 510 mm/Comfort NG: 570 mm	
Dimensions WxDxH	860x600x990 mm	
Weight	70 kg	
Accessories		
<b>Craning boxes for Power Clamp Comfort</b>		<b>80.134.00NG</b>
<b>Chuck support for rotary table</b>		<b>See page 26</b>
<b>Upgrade Kit 13 kW HD coil for Power Clamp Comfort NG</b>		<b>80.151.30.10</b>

Technical data subject to change without prior notice



**POWER CLAMP PROFI LINE:  
HIGH END MODELS**



**POWER CLAMP PROFI PLUS NG**

**High performance shrink fit machine for all tools.**

- With intelligent NG coil
- Rotary table with 3 stations
- With integrated contact cooling and Cooling Manager
- Second coil for Ø 40–50 mm included

- With 1 chuck support for rotary table
- Power: 20 kW
- Mains voltage: 3x400–480V, 32A
- Tools: solid carbide and HSS from  
Ø 1/8"–2" (3–50mm)

**POWER CLAMP PRESET NG**

**High performance shrink fit machine for all tools.**

**Upgrade to HD coil possible, for shrinking of Heavy Duty Shrink Chucks up to Ø 50 mm (optional)**

- With vertical stop for length presetting
- With intelligent NG coil
- Single chuck version
- With integrated contact cooling and Cooling Manager
- With 2 precision base holders and 2 precision chuck supports

- Power: 13 kW
- Mains voltage: 3x400–480V, 16A
- Tools: solid carbide and HSS from  
Ø 1/8"–1¼" (3–32mm)



Technical details		Order No.
<b>Power Clamp Profi Plus NG</b>		<b>80.100.11NG.3</b>
Mains voltage	3x400–480 Volt, 32 Ampere, 20 kW	
<b>Power Clamp Preset NG</b>		<b>80.130.01NG</b>
Mains voltage	3x400–480 Volt, 16 Ampere, 13 kW	
Tools	solid carbide and HSS	
Tool diameter	1/8"–1¼" (3–32mm)	
Maximum Length of shrink fit chuck	570 mm	
Dimensions WxDxH	860x600x990 mm	
Weight	85 kg	
Accessories		
<b>Power Clamp Profi Plus NG: Chuck support for rotary table</b>		<b>See page 26</b>
<b>Upgrade Kit 13 kW HD coil</b>		<b>80.151.30.10</b>
<b>Precision chuck support</b>		<b>See page 24</b>

Technical data subject to change without prior notice

POWER CLAMP PREMIUM LINE:  
FOR HIGH PRODUCTION

POWER CLAMP PREMIUM



Picture shows 80.170.00NG with optional length presetting

**High-end shrink fit machine for perfect handling and simultaneous cool-down at max. five cooling stations.**

- Power: 13 kW
- Mains voltage: 3x400–480V, 16A
- Tools: solid carbide and HSS from  $\varnothing$  1/8" – 1¼" (3–32 mm)
- With standard coil V2008, NG coil optional
- TME Intelligent Cooling System with temperature control
- Integrated contact cooling with five cooling bodies
- Linear guided cooling bodies
- No damage to the edge of the cutting tool
- Incl. Speed Cooler and Cooling Manager
- Incl. 2 precision base holders and 2 precision chuck supports
- Integrated drawer

Technical details		Order No.
<b>Power Clamp Premium</b>		<b>80.170.01</b>
<b>Power Clamp Premium NG</b>		<b>80.170.01.NG</b>
Mains voltage	3x400–480 Volt, 16 Ampere, 13kW	
Compressed air	87 psi (6 bar)	
Tools	solid carbide and HSS	
Tool diameter	1/8" – 1¼" (3–32mm)	
Maximum Length of shrink fit chuck	Premium: 475 mm/Premium NG: 535 mm	
Dimensions WxDxH	1130x800x2000 mm	
Weight	300 kg	
Accessories		
<b>System cart Premium</b>		<b>80.124.20</b>
<b>Precision chuck support</b>		<b>See page 24</b>
<b>Precision base holder for chuck support</b>		<b>80.131.00</b>
<b>Length presetting</b>		<b>80.178.00</b>

Technical data subject to change without prior notice

**POWER CLAMP PREMIUM LINE:  
FOR HIGH PRODUCTION**

**POWER CLAMP PREMIUM PLUS**



**High-end shrink fit machine for absolute process reliability with two separate electronic units and two coils.**

- Power: 33kW
- Mains voltage: 3x400V, 63A
- Tools: solid carbide and HSS from Ø 1/8" – 2" (3–50 mm)
- With intelligent coil VS32 m and 20kW coil
- TME Intelligent Cooling System with temperature control
- Cooling bodies lift automatically after the completion of the cooling process (temperature-time controlled)
- Integrated contact cooling with six cooling bodies
- Linear guided cooling bodies
- No damage to the edge of the cutting tool
- Incl. Cooling Manager
- Two length presetting units with height stop
- Incl. 2 precision base holders and 2 precision chuck supports
- 3 integrated drawers

Technical details		Order No.
<b>Power Clamp Premium Plus</b>		<b>80.170.10</b>
Mains voltage	3x400Volt, 63Ampere, 33kW	
Compressed air	87 psi (6 bar)	
Tools	solid carbide and HSS	
Tool diameter	Ø 1/8" – 2" (3–50 mm)	
Maximum Length of shrink fit chuck	535 mm	
Dimensions WxDxH	1600x850x2300 mm	
Weight	550 kg	
Accessories		
<b>Precision chuck support</b>		<b>See page 25</b>
<b>Precision base holder for chuck support</b>		<b>80.131.00</b>

Technical data subject to change without prior notice

**CARTS AND INSERTS**



**System cart**

- Cart for shrink fit machine and accessories
- For a clear and tidy work space
- Ergonomic work height
- Everything at hand
- Optional: Drawers with inserts to store accessories

	Order No.
System cart, color RAL5010 (1078x610x840 mm)	80.124.00
System cart, color RAL7016 (1078x610x840 mm)	80.124.00.4
System cart Premium, color RAL5010 (1130x690x840 mm)	80.124.20
System cart Premium, color RAL7016 (1130x690x840 mm)	80.124.20.4



**Drawer insert for system cart**

(does not include accessories)

	Order No.
Drawer	80.124.04



**Cart for shrink fit machine**

	Order No.
Cart (1078x601x840 mm)	80.106.00

## BASE HOLDER



Fig. 1



Fig. 2

To hold chuck supports of all sizes.

Available in two versions:

Fig. 1:  
Base holder for Power Clamp Mini/Basic/Economic/Economic Plus

Fig. 2:  
Precision base holder for Power Clamp Preset/Premium/Premium Plus  
– High precision version with All functional surfaces fine machined  
when maximum precision is needed for presetting

Base holder	Order No.
Base holder for Power Clamp Mini/Basic/Economic/Economic Plus	80.155.01
Precision base holder for Power Clamp Preset/Premium/Premium Plus	80.131.01

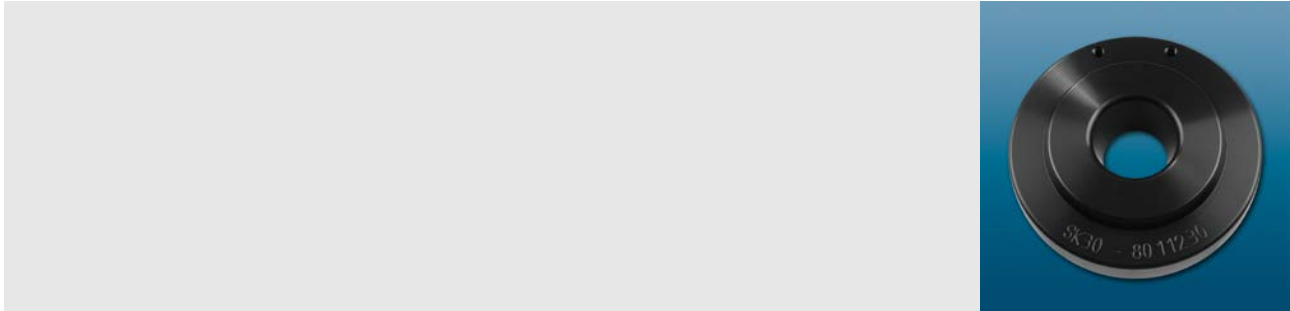


Chuck support for horizontal shrink fit machine Power Clamp Nano.

Available in taper sizes SK30 – SK40, CAT30 – CAT50, BT30 – BT40, JBS T15, HSK-25 – HSK-63

Chuck support for Power Clamp Nano	
Order No.	for taper size
80.162.30	CAT/BT30 with pull stud DIN 69872/MAS 403
80.162.30.01	SK30 without pull stud with thread M12
80.162.40.01	SK40 without pull stud with thread M16
80.162.40.02	CAT40 with pull stud DIN 69872
80.162.40.04	CAT40 with pull stud ISO 7388-B
80.162.40.06	BT40 with pull stud MAS 403
80.162.T15	JBS T15 with pull stud JBS R15-45
80.163.25	HSK-25
80.163.32	HSK-32
80.163.40	HSK-40
80.163.50	HSK-50
80.163.63	HSK-63

## CHUCK SUPPORT



Chuck support for single-chuck system.

Available in taper sizes CAT30 – CAT50, BT30 – BT50,  
 HSK-25 – HSK-125, HAIMER Capto™ C3 – HAIMER Capto™ C8

Chuck support for	
Power Clamp Mini/Basic/Economic/Economic NG/Economic Plus/Economic Plus NG	
Order No.	for taper size
80.112.30	CAT/BT30
80.112.40	CAT/BT40
80.112.45	CAT/BT45
80.112.50	CAT/BT50
80.113.25	HSK-25
80.113.32	HSK-32
80.113.40	HSK-40
80.113.50	HSK-50
80.113.63	HSK-63
80.113.80	HSK-80
80.113.10	HSK-100
80.113.125	HSK-125
80.114.30	HAIMER Capto™ C3
80.114.40	HAIMER Capto™ C4
80.114.50	HAIMER Capto™ C5
80.114.60	HAIMER Capto™ C6
80.114.80	HAIMER Capto™ C8

Precision Base Holder	
Power Clamp Mini/Basic/Economic/Economic NG/Economic Plus/Economic Plus NG	
Order No.	for taper size
80.155.01	All tapers



Precision chuck support for single-chuck system.

- All functional surfaces fine machined

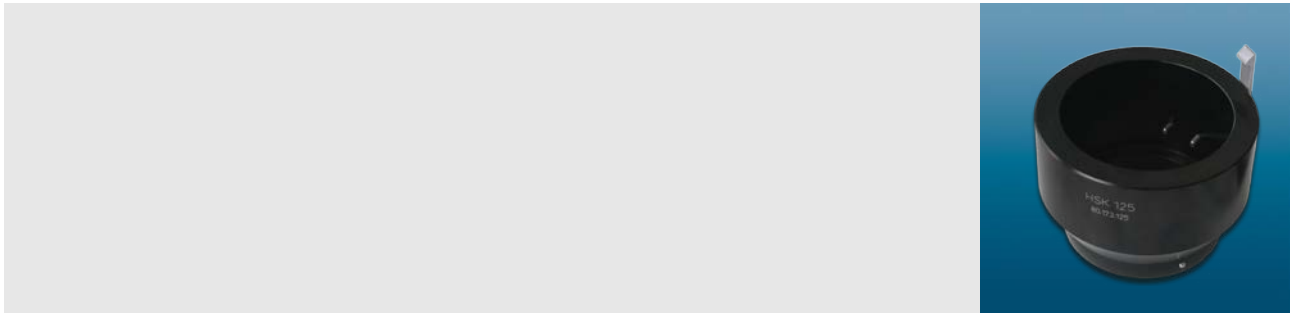
Available in taper sizes CAT30 – CAT50,  
 HSK-25 – HSK-125, HAIMER Capto™ C6

Precision chuck support for	
Power Clamp Preset NG/Power Clamp Premium	
Order No.	for taper size
80.132.30	CAT30
80.132.40	CAT40
80.132.50	CAT50
80.133.25	HSK-25
80.133.32	HSK-32
80.133.40	HSK-40
80.133.50	HSK-50
80.133.63	HSK-63
80.133.80	HSK-80
80.133.10	HSK-100
80.133.125	HSK-125
80.134.60	HAIMER Capto™ C6

Precision Base Holder	
Power Clamp Preset NG/Power Clamp Premium/Premium Plus	
Order No.	for taper size
80.131.01	All tapers



PRECISION CHUCK SUPPORT FOR POWER CLAMP PREMIUM PLUS



Precision chuck support for shrink fit machine Power Clamp Premium Plus.

- All functional surfaces fine machined
- With Pin for protection of the chuck

Available in taper sizes CAT30 – CAT50, BT30 – BT50,  
 HSK-25 – HSK-125, HAIMER Capto™ C3 – HAIMER Capto™ C8

Precision chuck support for Power Clamp Premium Plus	
Order No.	for taper size
80.172.30	CAT30
80.172.40	CAT40
80.172.45	CAT45
80.172.50	CAT50
80.175.30	BT30
80.175.40	BT40
80.175.45	BT45
80.175.50	BT50
80.173.25	HSK-25
80.173.32	HSK-32
80.173.40	HSK-40
80.173.50	HSK-50
80.173.63	HSK-63
80.173.80	HSK-80
80.173.10	HSK-100
80.173.125	HSK-125
80.174.30	HAIMER Capto™ C3
80.174.40	HAIMER Capto™ C4
80.174.50	HAIMER Capto™ C5
80.174.60	HAIMER Capto™ C6
80.174.80	HAIMER Capto™ C8

Precision Base Holder Power Clamp Preset NG/Power Clamp Premium/Premium Plus	
Order No.	for taper size
80.131.01	All tapers

**CHUCK SUPPORT FOR ROTARY TABLE**



Chuck support for rotary table.

Available in taper sizes CAT30 – CAT50, BT30 – BT50,  
 HSK-25 – HSK-100, HAIMER Capto™ C3 – HAIMER Capto™ C8

Chuck support for Power Clamp Profi Plus/Profi Plus NG/Comfort/Comfort NG	
Order No.	for taper size
80.102.30	CAT/BT30
80.102.40	CAT/BT40
80.102.45	CAT/BT45
80.102.50	CAT/BT50
80.103.00	various sizes
80.103.25	HSK-25
80.103.32	HSK-32
80.103.40	HSK-40
80.103.50	HSK-50
80.103.63	HSK-63
80.103.80	HSK-80
80.103.10	HSK-100
80.104.30	HAIMER Capto™ C3
80.104.40	HAIMER Capto™ C4
80.104.50	HAIMER Capto™ C5
80.104.60	HAIMER Capto™ C6
80.104.80	HAIMER Capto™ C8

## CHUCK SUPPORT FOR ER SHRINK FIT COLLETS



Chuck support for ER shrink fit collets with integrated length presetting.

- Precise clamping of the collet
- Fast and repeatable length adjustment with stop pin
- Adjustment with set screw and counter nut
- Integrated in chuck support, thus very space-saving
- Easy handling by turning of set screw and counter nut
- Application suitable also at multi-spindle machines for repeatable length presetting of twin tools

Chuck support	Size	Order No.
Chuck support for ER11	ER11	80.135.11
Chuck support for ER16	ER16	80.135.16
Chuck support for ER20	ER20	80.135.20
Chuck support for ER25	ER25	80.135.25
Chuck support for ER32	ER32	80.135.32
Base holder for Power Clamp Mini/Basic/Economic/Economic Plus		80.155.01

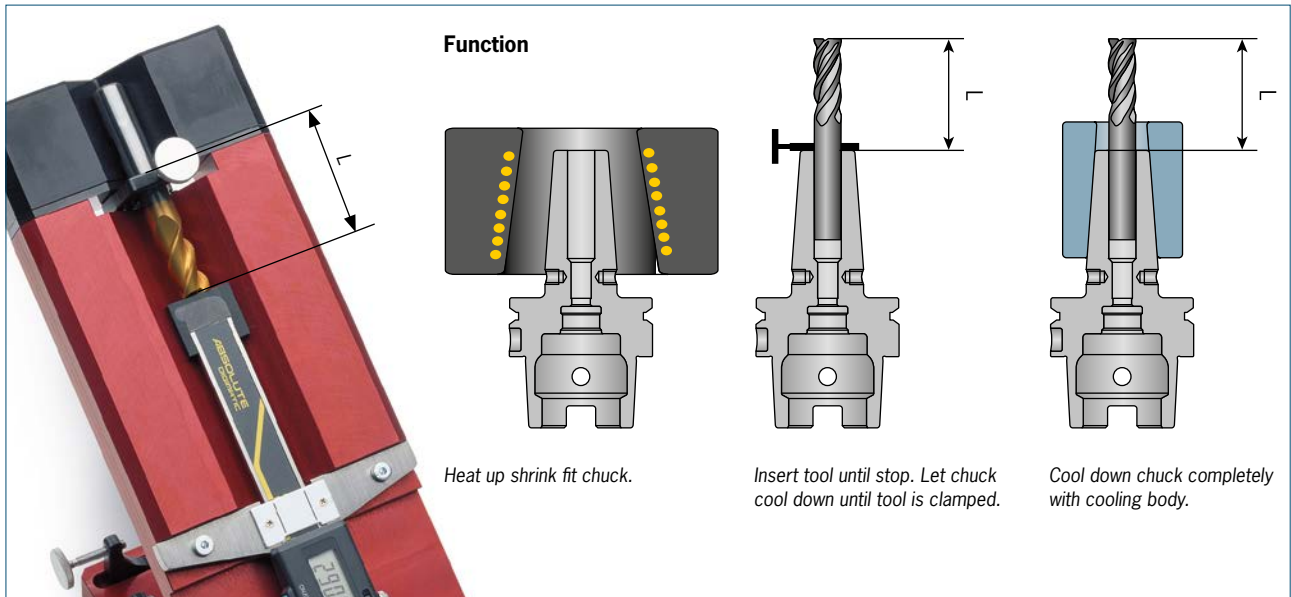
## EASY SET SIMPLE LENGTH PRESETTING

### Simple presetting

- Quick and simple presetting of tool overhang
- Maximum overhang length: 150 mm
- Accuracy:  $\pm 0.05$  mm
- Suitable for all shrink fit chucks and machines (flame, hot air, contact, induction)
- Space saving
- Excellent relationship between price and efficiency
- Can be added at any time
- Included in delivery: 3 stop clips ( $\varnothing$  3-12,  $\varnothing$  12-20,  $\varnothing$  16-25 mm)
- Optional  $\varnothing$  25-32 mm



Stop clips



Easy Set		Order No.
Easy Set [mm]	100 mm protruding length	80.123.00
Easy Set [mm]	150 mm protruding length	80.125.00
Stop clip	For clamping $\varnothing$ 3-12 mm	80.123.01
Stop clip	For clamping $\varnothing$ 12-20 mm	80.123.02
Stop clip	For clamping $\varnothing$ 16-25 mm	80.123.03
Stop clip	For clamping $\varnothing$ 25-32 mm	80.123.04

Technical data subject to change without prior notice

**QUICK SET  
LENGTH PRESETTING**



Picture shows: Quick Set with base holder  
(Base holder not included in delivery)



**Length adjustment for shrink fit chucks without back-up screw, e. g. Mini Shrink**

- Fast, repeatable length adjustment of the total tool assembly with stop pin
- Adjustment with set screw and counter nut
- Integrated in chuck support, thus very space-saving
- Easy handling by turning of set screw and counter nut
- Application also suitable with multi-spindle machines for repeatable length presetting of twin tools

Quick Set	Size	Order No.
Length Presetting Quick Set for	CAT/BT40	80.136.240
Length Presetting Quick Set for	HSK-E25	80.136.325
Length Presetting Quick Set for	HSK-E32	80.136.332
Length Presetting Quick Set for	HSK-E40	80.136.340
Length Presetting Quick Set for	HSK-E50	80.136.350
Length Presetting Quick Set for	HSK-A63	80.136.363
Length Presetting Quick Set for	Capto C5	80.136.450
Base holder for Power Clamp Mini/Basic/Economic/Economic Plus		80.155.01

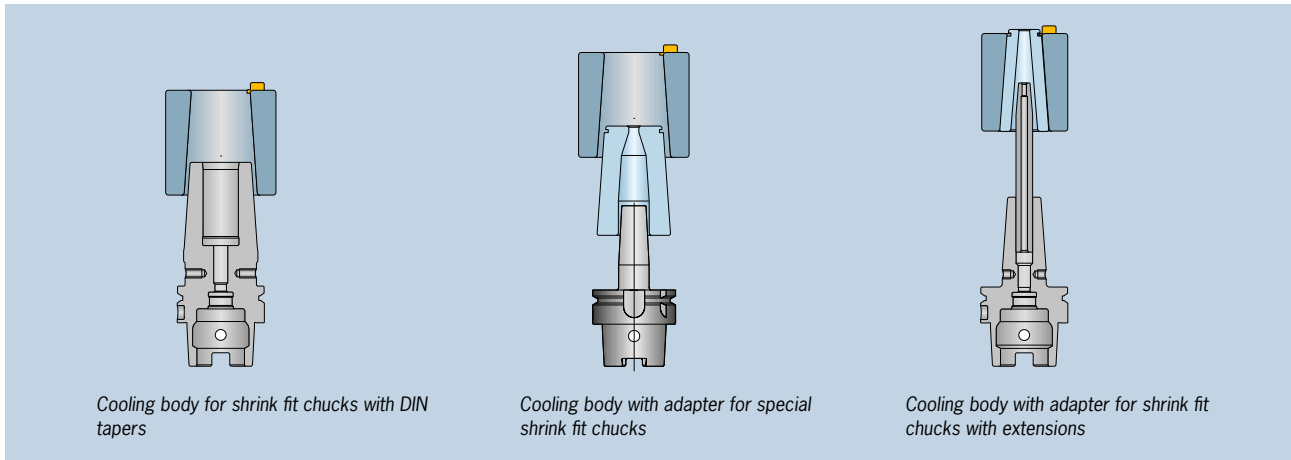
Technical data subject to change without prior notice

COOLING ADAPTER AND COOLING ADAPTER BLANKS



Cooling adapters fit and cool an expanded selection of shrink fit chucks and extensions. The adapter is inserted into the cooling body and locked. Then it can be placed onto the shrink fit chuck.

- Cooling bodies for  $\varnothing$  14–16 mm and  $\varnothing$  25–32 mm with side lock



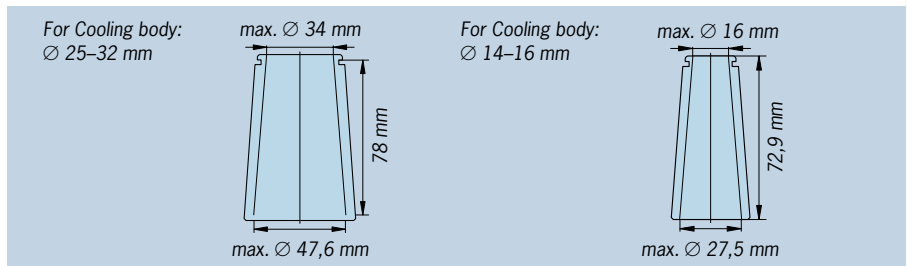
Cooling body for shrink fit chucks with DIN tapers

Cooling body with adapter for special shrink fit chucks

Cooling body with adapter for shrink fit chucks with extensions

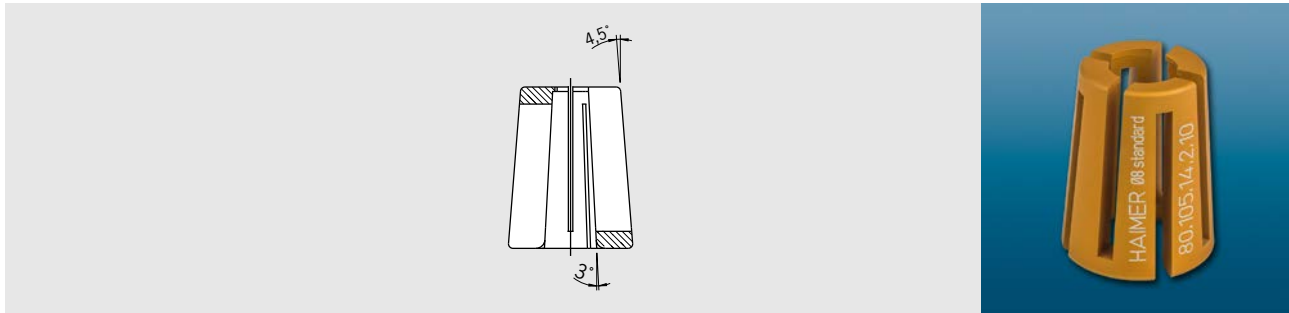
**Cooling Adapter Blanks**

For individual customization to each shrink fit chuck by the user.

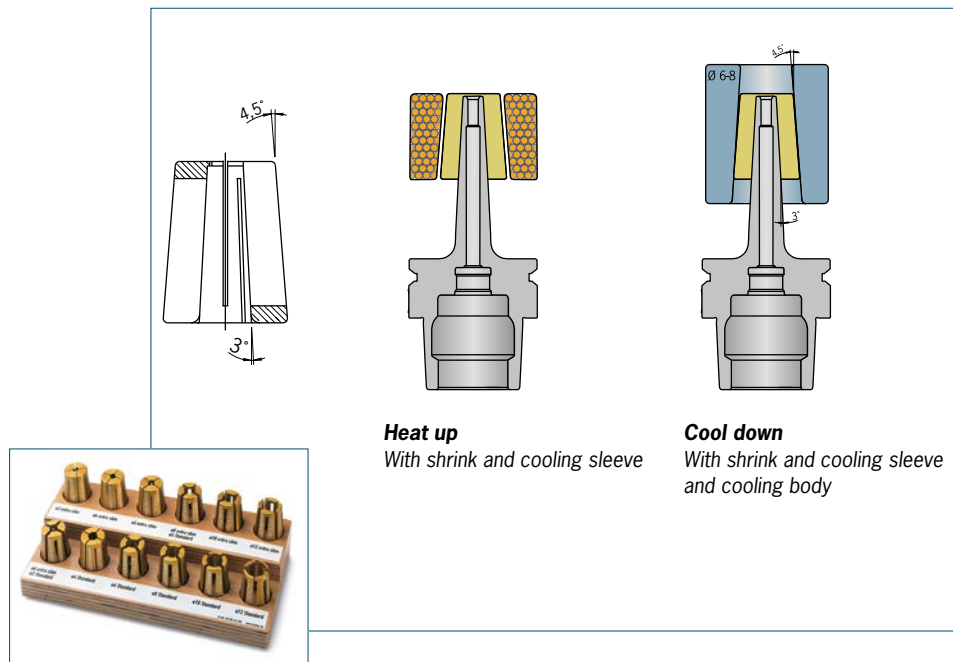


Accessories	Order No.
Cooling adapter blanks for cooling body $\varnothing$ 14–16 mm	80.105.14.0
Cooling adapter blanks for cooling body $\varnothing$ 25–32 mm	80.105.16.0
Cooling adapter for extensions $\varnothing$ 12 mm/ $\varnothing$ 16 mm	80.105.14.1.1
Cooling adapter for extensions $\varnothing$ 20 mm	80.105.14.1.2
Cooling adapter for shrink fit chucks $\varnothing$ 3–5 mm	80.105.14.1.3
Cooling adapter Heavy Duty $\varnothing$ 16mm for cooling body 80.105.19.1	80.105.19.3.1
Cooling adapter Heavy Duty $\varnothing$ 20mm for cooling body 80.105.19.1	80.105.19.3.2
Cooling adapter Heavy Duty $\varnothing$ 25mm for cooling body 80.105.19.1	80.105.19.3.3
Cooling adapter Heavy Duty $\varnothing$ 32mm for cooling body 80.105.19.1	80.105.19.3.4
Base for cooling adapters	80.105.14.1.99

# MINI SHRINK SHRINK AND COOLING SLEEVES



- For shrinking and cooling of Mini Shrink chucks.
- Protect Mini Shrink chucks from overheating
  - Extend lifetime of shrink fit chucks
  - Secure and user friendly handling
  - Cooling with standard cooling body  $\varnothing$  6–8 mm



Shrink and Cooling Sleeves for Mini Shrink Chucks								Order No.
<b>Extra slim</b>								
Size [mm]	$\varnothing$ 03	$\varnothing$ 04	$\varnothing$ 05	$\varnothing$ 06	$\varnothing$ 08	$\varnothing$ 10	$\varnothing$ 12	
Order No. 80.105.14...	.2.01	.2.02	.2.03	.2.04	.2.05	.2.06	.2.07	
<b>Standard</b>								
Size [mm]	$\varnothing$ 03	$\varnothing$ 04	$\varnothing$ 05	$\varnothing$ 06	$\varnothing$ 08	$\varnothing$ 10	$\varnothing$ 12	$\varnothing$ 16
Order No. 80.105.14...	.2.04	.2.08	.2.05	.2.09	.2.10	.2.11	.2.12	.2.16
<b>Base</b>								<b>80.105.14.2.99</b>
<b>Set with base (12 pcs)</b>								<b>80.105.14.2.00</b>

TME COOLING SYSTEM WITH TEMPERATURE CONTROL



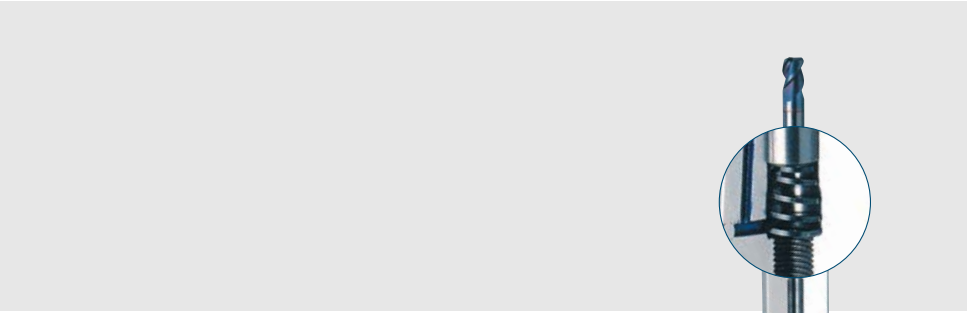
Temperature control of the shrink fit chuck during the cooling process for a safe handling

- Sensor in aluminium body measures temperature.
- If the temperature is too high: red light
- If the temperature is at the right level: green light
- Minimizes danger of injury due to hot chucks
- Patented temperature control

	Order No.
TME Intelligent Cooling System for 13kW machines	80.105.19.00
TME Intelligent Cooling System for 20kW machines	80.105.19.10



TENSION SPRINGS FOR LENGTH PRESETTING FOR SHRINK FIT CHUCKS



- Spring is set into clamping bore
- Spring presses tool against stop disc
- Backup screw can remain in chuck
- Fits all common shrink fit chucks



Tension spring for length presetting

											Order No.
Tension spring		∅ 6	∅ 8	∅ 10	∅ 12	∅ 14	∅ 16	∅ 18	∅ 20	∅ 25	∅ 32
Order No.	85.830...	.06	.08	.10	.12	.14	.16	.18	.20	.25	.32
Tension spring set (10 pcs. of each size) incl. grab											85.830.00

**SHRINK-OUT DEVICE**



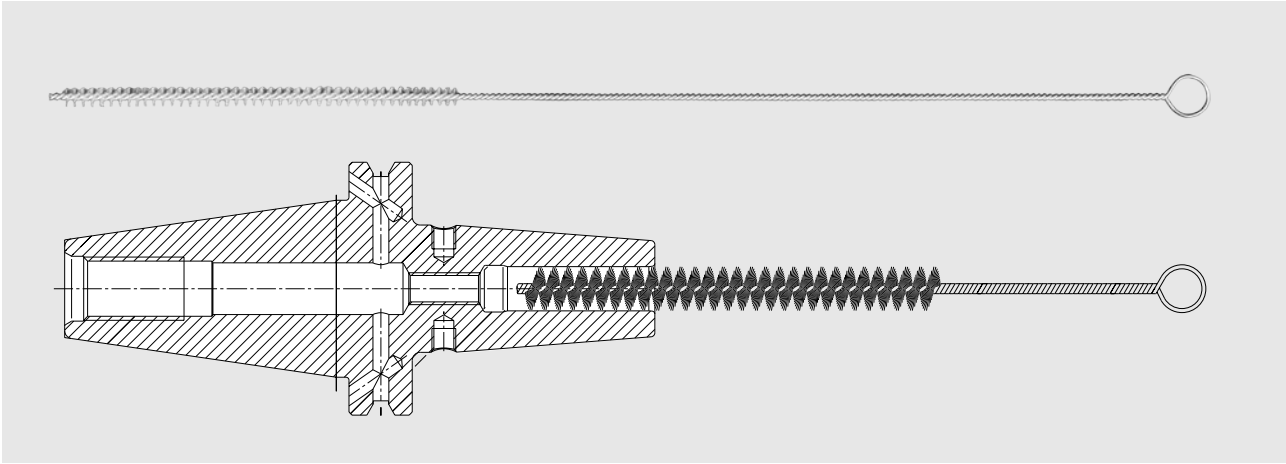
Shrink-out device for broken tools.

- Set includes 1 base plate and 6 pins (3 diameters in 2 lengths each), without pliers
- Rubber plate for saving the chuck
- Drawer insert for craning box
- Suitable for all Power Clamp shrink fit machines

	Order No.
<b>Shrink-out device</b>	<b>80.126.00</b>
<b>Combination pliers</b>	<b>80.107.00</b>

Accessories	Order No.
<b>Pin 160 mm x 2.3 mm</b>	<b>113027-0004</b>
<b>Pin 160 mm x 4.7 mm</b>	<b>113027-0005</b>
<b>Pin 160 mm x 5.5 mm</b>	<b>911001-0002</b>
<b>Pin 275 mm x 2.3 mm</b>	<b>113027-0007</b>
<b>Pin 275 mm x 4.7 mm</b>	<b>113027-0008</b>
<b>Pin 275 mm x 5.5 mm</b>	<b>911001-0003</b>

## SHRINK FIT BRUSH

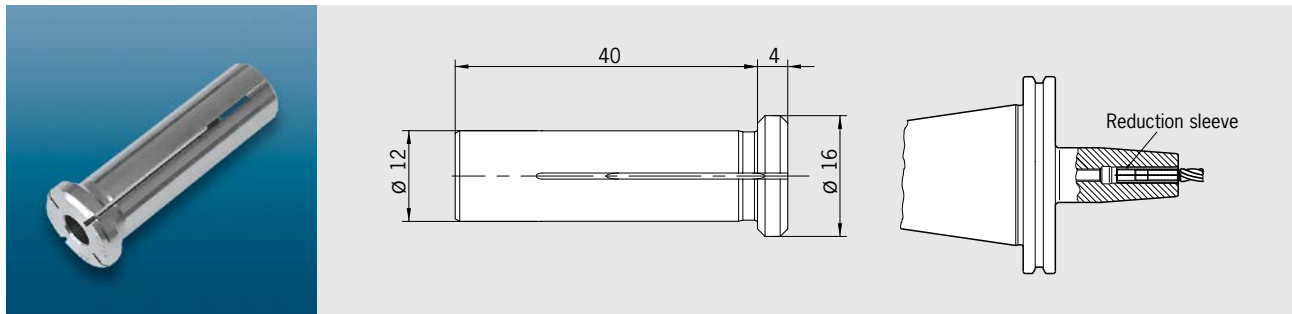


In order to achieve the best possible shrink fit connection, a grease free socket and shank is necessary. The cleaning can be done by a cold solvent (e.g. brake cleaner). An appropriate cleaning brush is necessary to clean the socket of the Shrink Fit Chuck.

Shrink Fit Brush		Ø [mm]
<b>Order No.</b>	<b>86.200.01</b>	3
	<b>86.200.02</b>	3.5
	<b>86.200.02</b>	4
	<b>86.200.02</b>	4.5
	<b>86.200.02</b>	5
	<b>86.200.03</b>	6
	<b>86.200.03</b>	8

Shrink Fit Brush		Ø [mm]
<b>Order No.</b>	<b>86.200.04</b>	10
	<b>86.200.04</b>	12
	<b>86.200.06</b>	14
	<b>86.200.06</b>	16
	<b>86.200.07</b>	18
	<b>86.200.07</b>	20
	<b>86.200.08</b>	25

## REDUCTION SLEEVES FOR SHRINK FIT CHUCKS



**Use:**

For clamping small shanks in chucks with 12 mm ID's.

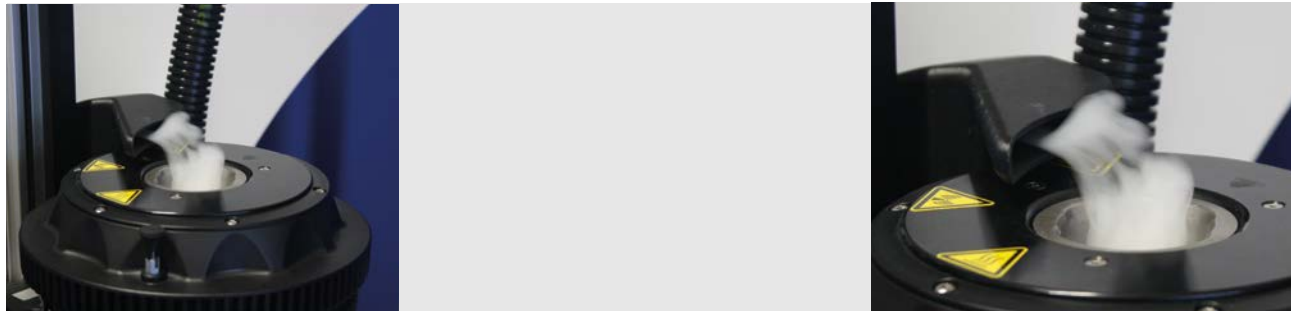
Step 1: shrink the sleeve into the bore of the chuck.

Step 2: clamp the tool shank in the reduction sleeve.

– Shank tolerance h6

Order No.	Clamping $\varnothing$ D [mm]
79.150.03	3
79.150.04	4
79.150.06	6

## AUXILIARY FUME EXTRACTION UNIT



Auxiliary fume extraction unit to remove and filter vapours, which are sometimes produced during the shrink process as a result of coolant or oil evaporation.

Auxiliary fume extraction unit for coil	Shrink fit machine	Order No.
VS32-H/M	Profi Plus NG/Comfort (NG)/Comfort Plus (NG)/Preset NG	80.101.02NG.01
VS32-H	Power Clamp Premium (NG)/Premium Plus	80.101.02NG.02
VS32-M	Power Clamp Premium Plus	80.101.03NG.02
V2008	Power Clamp Economic/Economic Plus/Comfort	80.151.00.01
13 kW HD/20 kW	Power Clamp Economic Plus NG/Comfort NG/Preset NG	80.151.10.01

## UPGRADE KIT 13 KW HD COIL



### Use:

For shrinking of Heavy Duty Shrink Chucks up to  $\varnothing 2"$  (50 mm).

Delivery includes:

- 13 kW HD coil
- Coil base
- Set of stop discs
- Latest software
- HD cooling body  $\varnothing 1\frac{1}{2}" - 2"$  (40–50 mm)
- hose set for HD cooling body
- Coolant Manifold Connection
- Optional: cooling adapter for HD cooling body

Upgrade only possible for existing shrink fit machine Power Clamp Economic Plus (NG), Comfort (NG) or Preset (NG) **that were produced after 01/2012.**

Order No.

Upgrade Kit 13 kW HD coil

80.151.30.10

STOP DISCS



**Use:**

Changeable stop discs for positioning the coil above the chuck.

Stop discs	Clamping Ø D [mm]	
<b>For coil N29 (Power Clamp Nano)</b>		
<b>Order No.</b>	<b>80.162.03</b>	3 – 5 mm
	<b>80.162.06</b>	6 – 8 mm
	<b>80.162.10.2</b>	10 – 16 mm
	<b>80.162.10</b>	10 – 12 mm
	<b>80.162.00</b>	Stop disc set N29
<b>For 13 kW coil V2008</b>		
<b>Order No.</b>	<b>80.152.03</b>	3 – 5 mm
	<b>80.152.06</b>	6 – 12 mm
	<b>80.152.14</b>	14 – 16 mm
	<b>80.152.18</b>	18 – 20 mm
	<b>80.152.25</b>	25 – 32 mm
	<b>80.152.00</b>	Set of stop discs 13 kW V2008
	<b>80.152.03.1</b>	split stop disc
	<b>80.152.06.1</b>	split stop disc
	<b>80.152.14.1</b>	split stop disc
	<b>80.152.18.1</b>	split stop disc
	<b>80.152.25.1</b>	split stop disc
	<b>80.152.00.1</b>	Set of stop discs 13 kW V2008 (splitted)
	<b>80.152.06.2</b>	Stop disc for ultra short Power Shrink Chucks
	<b>80.152.14.2</b>	Stop disc for ultra short Power Shrink Chucks
	<b>80.152.25.2</b>	Stop disc for ultra short Power Shrink Chucks
<b>For 20 kW coil and 13 kW HD coil</b>		
<b>Order No.</b>	<b>80.151.10.42</b>	16 – 20 mm
	<b>80.151.10.41</b>	20 – 32 mm
	<b>80.151.40.40</b>	40 – 50 mm
	<b>80.151.10.42.1</b>	stop disc 20 kW/13 kW splitted
	<b>80.151.10.41.1</b>	stop disc 20 kW/13 kW splitted
	<b>80.151.40.40.1</b>	stop disc 20 kW/13 kW splitted

THE MORE HAIMER, THE BETTER.



**Passion for precision**

HAIMER is a German, medium-sized family business. We develop and produce innovative ultra-precision products, primarily in the field of tool clamping. As the market leader in Germany, the continuous technological innovations of our products is very important to us and for this reason we annually invest 8–10% in research and development. With this budget, we can afford our own product development team, which constantly works on practical innovations and continual product improvements. 13 sales and service subsidiaries guarantee the first class HAIMER service and specific customer orientated product consultation worldwide on the spot. However, all products are solely produced in Igenhausen, Germany. In accordance with our corporate philosophy: **Quality Wins.**

**Our new North American Headquarters**

Located in the Chicago suburb of Villa Park, HAIMER's new 25,000 ft<sup>2</sup> headquarters is designed and built to help facilitate the company's growth in the North American marketplace. It features state-of-the-art training facilities able to accommodate up to sixty people. The expanded showroom includes a CNC machining center for demo cuts, shrink fit and balancing machines under power, and HAIMER's complete range of tool holding solutions on display. Both the training facilities and showroom are wired with HD cameras for live and web-based presentations. From our new facility, HAIMER will also provide balance inspection, precision balancing and data chipping services for tool holders from HAIMER or any other manufacturer. Future service offerings will include end mill regrinding as well as Safe-Lock™ groove modifications.



HAIMER USA – Chicago, Illinois



HAIMER USA's Competency Center features a 60-seat Training Room



HAIMER's 25,000 ft<sup>2</sup> North American Headquarters includes a spacious customer lounge



HAIMER USA's new Showroom is equipped with the latest cutting edge technologies

**HAIMER®**  
Quality Wins.



Tooling Technology

Shrinking Technology

Balancing Technology

Measuring Instruments

Tool Management

Haimer USA, LLC | 134 E. Hill Street | Villa Park, IL 60181 | USA

Phone 1-866-837-3265 | Fax (630) 833-1507 | Mail: [haimer@haimer-usa.com](mailto:haimer@haimer-usa.com) | [www.haimer-usa.com](http://www.haimer-usa.com)

Haimer Mexico | Anillo Vial Fray Junipero Serra No. 16950 Bodega 2 | Micro Parque Industrial Sotavento

Querétaro., QRO. C.P 76127 | Mexico | Phone +442-243-0950 | [www.haimer-mexico.com](http://www.haimer-mexico.com) | [haimer@haimermx.com](mailto:haimer@haimermx.com)