

# Dynamic climate chambers



MK | MKF | MKT | MKFT series





# Dynamic climate chambers

Series MK	Page 6
Series MKF	Page 9
Series MKT	Page 13
Series MKFT	Page 16
Options and Accessories	Page 19

BINDER environmental chambers are perfectly suited to material testing under dynamic conditions. The standard rapid alternation speeds of around 5 K/min make standard-compliant testing possible. An environmental simulation chamber of the MK and MKT Series is suitable for complex temperature profiles in the range of -40 °C or -70 °C to 180 °C. MKF and MKFT Series of dynamic climate chambers not only make material testing in this temperature range possible, but can also regulate humidity in the range of 10 % to 98 % RH.

# PRODUCT SELECTION DYNAMIC CLIMATE CHAMBERS

Features	Series MK › Page 6	Series MKF › Page 9	Series MKT › Page 13	Series MKFT › Page 16
<b>Model</b>				
Model 56	•	•	–	–
Model 115	•	•	•	•
Model 240	•	•	•	•
Model 720	•	•	•	•
<b>General data</b>				
Temperature range [°C]	-40...180	-40...180	-70...180	-70...180
Humidity range [% RH]	–	10...98	–	10...98
<b>Controller and timer functions</b>				
Controller display			TFT touch	
Ramp function	•	•	•	•
Time delayed ON	•	•	•	•
Programming option	•	•	•	•
Class 1 temperature safety device	•	•	•	•
Class 2 independent adjustable temperature safety device	•	•	•	•
Temperature alarm, acoustic	•	•	•	•
Temperature alarm, visual	•	•	•	•

•Standard equipment

## ADVANTAGES AT A GLANCE



### **HOMOGENEOUS TEMPERATURE DISTRIBUTION**

Series MK, MKF, MKT, MKFT

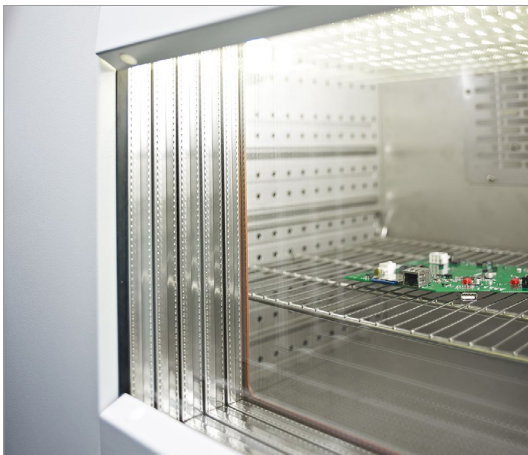
BINDER APT.line™ preheating chamber technology ensures long-term operational stability even under full load.



### **FLEXIBLE WATER SUPPLY**

Series MKF, MKFT

The flexible water supply is easy to handle and can be operated independently of the water supply and water quality.



### **CONVENIENT WORK ENVIRONMENT**

Series MK, MKF, MKT, MKFT

With our high level of standard equipment, such as the heated viewing window with LED illumination and a large access area for easy assembly a convenient work environment can be established.



### **PROGRAMMING AND DATA COLLECTION**

Series MK, MKF, MKT, MKFT

Data collection and programming can be created via the program controller featuring an color display and our APT.COM™ software for remotely through a PC.

## Series MK | for rapid temperature changes

The BINDER MK series chamber is suitable for all heat and cold tests between -40 °C and 180 °C. The MK is a clever alternative to complex individual solutions for cyclical temperature tests.



MK 56 model

### MAIN FEATURES

- Temperature range: -40 °C to 180 °C
- APT.line™ preheating chamber technology
- Programmable condensation protection for test material
- Heated viewing window with LED interior lighting
- BINDER Multi Management Software APT-COM™ Basic Edition
- Troubleshooting system with visual and audible alarms
- Intuitive touchscreen controller with time-segment and real-time programming
- Internal data logger, measured values can be read out in open format via USB
- Access port with silicone plug (Models 56, 115, 240), 50 mm, left
- 2 access ports with silicone plugs (Model 720), 80 mm, left and right

### AVAILABLE SIZES

Model	Interior volume [cu. ft.]	Online data sheets
MK 56	2.1	› <a href="https://go2binder.com/us-MK56">go2binder.com/us-MK56</a>
MK 115	4.1	› <a href="https://go2binder.com/us-MK115">go2binder.com/us-MK115</a>
MK 240	8.0	› <a href="https://go2binder.com/us-MK240">go2binder.com/us-MK240</a>
MK 720	25.9	› <a href="https://go2binder.com/us-MK720">go2binder.com/us-MK720</a>



### TIPS & TRICKS

Benefit from our many years of experience, as demonstrated in our technical papers:

- Tips & Tricks: › [go2binder.com/us-tips-tricks](https://go2binder.com/us-tips-tricks)  
 Case Studies: › [go2binder.com/us-case-studies](https://go2binder.com/us-case-studies)



Find all details online  
[go2binder.com/us-MK](https://go2binder.com/us-MK)

## TECHNICAL DATA

Description	MK 56	MK 115	MK 240	MK 720
<b>Outer dimensions</b>				
Width net [in]	29.16	38.61	43.9	62.3
Height net [in]	56.9	68	67.4	79
Depth net [in]	30.65	34.08	36.45	44.9
<b>Internal Dimensions</b>				
Width [in]	15.76	23.64	28.96	47.3
Height [in]	16.55	18.91	27.58	40.2
Depth [in]	13.79	15.76	17.45	23.64
<b>Measures</b>				
Interior volume [cu.ft.]	2.1	4.1	8	25.9
Net weight of the unit (empty) [lbs]	370	573	750	1257
permitted load [lbs]	132	132	154	353
Load per rack [lbs]	33	66	66	88
<b>Performance Data Temperature</b>				
Temperature range [°C]	-40...180	-40...180	-40...180	-40...180
Temperature variation depending on setpoint [± K]	0.5...1.5	0.1...2	0.1...1.2	0.3...2
Temperature fluctuation depending on setpoint [± K]	0.1...0.5	0.1...0.5	0.1...0.5	0.1...0.5
Average heating-up rate according to IEC 60068-3-5 [K/min]	5,0	5,3	5,0	4,0
Average cooling down time according to IEC 60068-3-5 [K/min]	5,0	5,0	4,5	4,5
<b>Electrical data</b>				
Nominal power (version 230 V) [kW]	2.8	–	–	–
Nominal power (version 240 V) [kW]	2.8	–	–	–
Nominal power (version 400 V) [kW]	–	3.5	5.6	8.7
Nominal power (version 480 V) [kW]	–	3.5	5.6	8.7
<b>Fixtures</b>				
Number of shelves (std./max.)	1/4	1/4	1/6	1/11

## ORDERING INFORMATION [Art. No.]

**Further details:** Go to [www.binder-world.com](http://www.binder-world.com) > Search > Enter Article Number

Voltage	Option model	MK 56	MK 115	MK 240	MK 720
480 V 3~ 60 Hz	with voltage and frequency converter	–	9020-0303	9020-0355	9020-0356
400 V 3~ 50 Hz	Standard	–	9020-0375	9020-0376	9020-0377
240 V 1~ 60 Hz	Standard	9020-0388	–	–	–
230 V 1~ 50 Hz	Standard	9020-0374	–	–	–

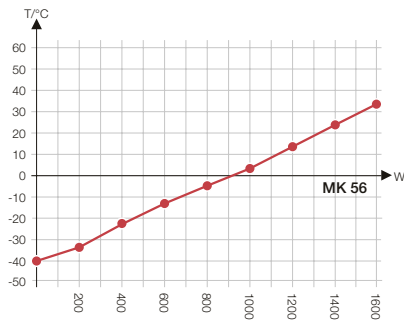
► You will find a selection of options, accessories and services suitable for each product on page 19

## EXTRACT OF FULLFILLED STANDARDS

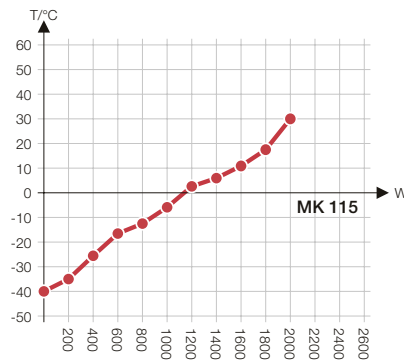
- MIL STD 810:2000-01
- DIN EN 60068-2-14

## HEAT COMPENSATION

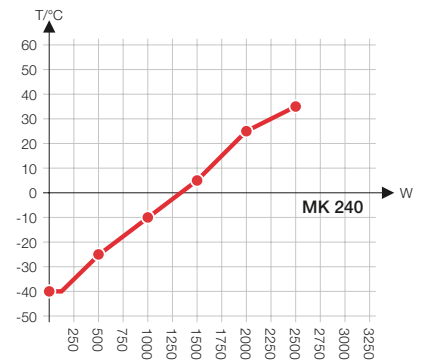
MK 56



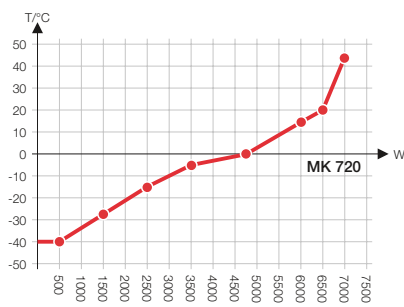
MK 115



MK 240

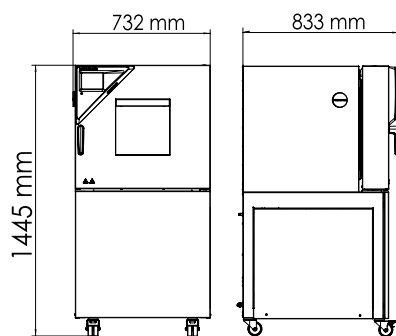


MK 720

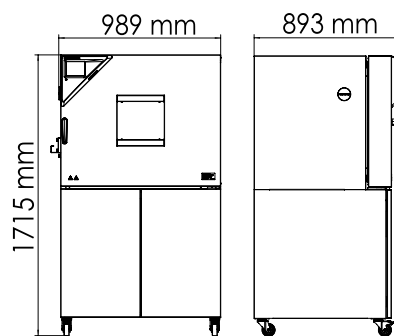


## DIMENSIONS INCL. FITTINGS AND CONNECTIONS [MM]

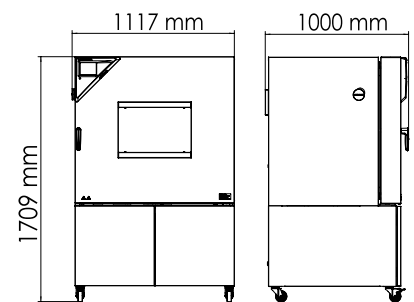
MK 56



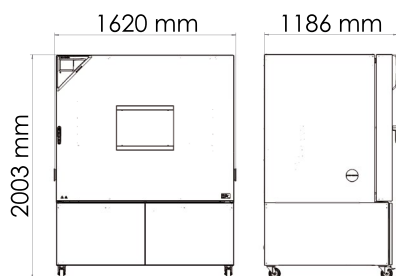
MK 115



MK 240



MK 720





## Series MKF | for rapid temperature changes with humidity control

A BINDER MKF series environmental simulation chamber is ideally suited for any cold and heat testing based on current temperature and climate testing methods according to DIN and IEC standards. The comprehensive standard equipment for this environmental simulation chamber ensures ease of operation.



MKF 56 model

### MAIN FEATURES

- Temperature range: -40 °C to 180 °C
- Humidity range: 10 % to 98 % RH
- Integrated water-storage tank, 20 liters (Models 115, 240, 720)
- 4 zero-voltage relay contacts
- 1 stainless steel rack
- APT.line™ preheating chamber technology
- Intuitive touchscreen controller with time-segment and real-time programming
- Internal data logger, measured values can be read out in open format via USB
- Programmable condensation protection for test material
- Heated viewing window with LED interior lighting

### AVAILABLE SIZES

Model	Interior volume [cu. ft.]	Online data sheets
MKF 56	2.1	<a href="https://go2binder.com/us-MKF56">go2binder.com/us-MKF56</a>
MKF 115	4.1	<a href="https://go2binder.com/us-MKF115">go2binder.com/us-MKF115</a>
MKF 240	8.0	<a href="https://go2binder.com/us-MKF240">go2binder.com/us-MKF240</a>
MKF 720	25.9	<a href="https://go2binder.com/us-MKF720">go2binder.com/us-MKF720</a>



### TIPS & TRICKS

Benefit from our many years of experience, as demonstrated in our technical papers:

Tips & Tricks: [go2binder.com/us-tips-tricks](https://go2binder.com/us-tips-tricks)  
 Case Studies: [go2binder.com/us-case-studies](https://go2binder.com/us-case-studies)



Find all details online  
[go2binder.com/us-MKF](https://go2binder.com/us-MKF)

## TECHNICAL DATA

Description	MKF 56	MKF 115	MKF 240	MKF 720
<b>Outer dimensions</b>				
Width net [in]	28.37	38.61	43.9	62.3
Height net [in]	56.9	68	67.6	79
Depth net [in]	30.73	34.08	36.45	44.9
<b>Internal Dimensions</b>				
Width [in]	15.76	23.64	28.96	47.3
Height [in]	16.55	18.91	27.58	40.2
Depth [in]	13.71	15.76	17.45	23.64
<b>Measures</b>				
Interior volume [cu.ft.]	2.1	4.1	8.0	25.9
Net weight of the unit (empty) [lbs]	617	617	794	1301
permitted load [lbs]	132	132	154	353
Load per rack [lbs]	33	66	66	88
<b>Performance Data Temperature</b>				
Temperature range [°C]	-40...180	-40...180	-40...180	-40...180
Temperature variation depending on setpoint [± K]	0.5...1.5	0.1...1.3	0.1...1.5	0.1...1.8
Temperature fluctuation depending on setpoint [± K]	0.1...0.5	0.1...0.6	0.1...0.5	0.1...0.5
Average heating-up rate according to IEC 60068-3-5 [K/min]	5.0	5.5	5.0	4.8
Average cooling down time according to IEC 60068-3-5 [K/min]	5.0	4.5	5.0	4.8
<b>Performance Data Climate</b>				
Temperature range [°C]	10...95	10...95	10...95	10...95
Temperature fluctuation depending on setpoint [± K]	0.1...0.5	0.1...1.3	0.1...1.3	0.2...1.5
Humidity range [% RH]	10...98	10...98	10...98	10...98
Humidity fluctuation depending on setpoint [± % RH]	≤2,5	≤2,5	≤2,5	≤2,5
<b>Electrical data</b>				
Nominal power (version 230 V) [kW]	2.8	–	–	–
Nominal power (version 240 V) [kW]	2.8	–	–	–
Nominal power (version 400 V) [kW]	–	4.8	6.8	11.0
Nominal power (version 480 V) [kW]	–	4.8	6.8	11.0
<b>Fixtures</b>				
Number of shelves (std./max.)	1/4	1/4	1/6	1/11

## ORDERING INFORMATION [Art. No.]

**Further details:** Go to [www.binder-world.com](http://www.binder-world.com) > Search > Enter Article Number

Voltage	Option model	MKF 56	MKF 115	MKF 240	MKF 720
480 V 3~ 60 Hz	with voltage and frequency converter	–	9020-0357	9020-0358	9020-0359
400 V 3~ 50 Hz	Standard	–	9020-0379	9020-0380	9020-0381
200...230 V 1~ 50 Hz	Standard	9020-0378	–	–	–
200...240 V 1~ 60 Hz	Standard	9020-0389	–	–	–

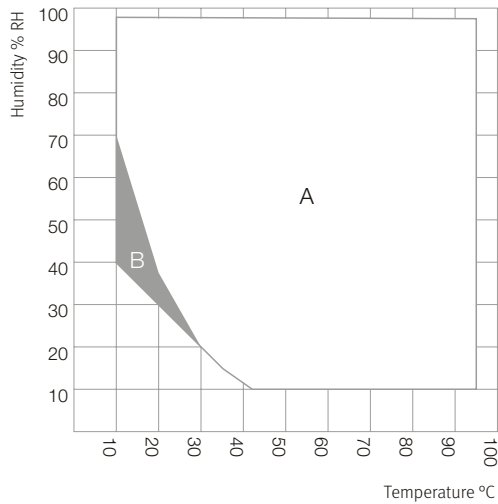
► You will find a selection of options, accessories and services suitable for each product on page 19

## EXTRACT OF FULLFILLED STANDARDS

- DIN EN 60068-2-30: 2006-06
- DIN EN 60068-2-38: 2010-06
- MIL STD 810:2000-01
- DIN EN 60068-2-66

## TEMPERATURE-HUMIDITY CHART

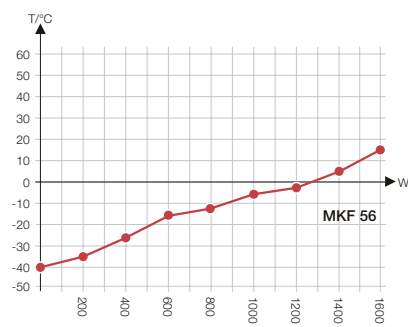
MKF 56, MKF 115, MKF 240, MKF 720



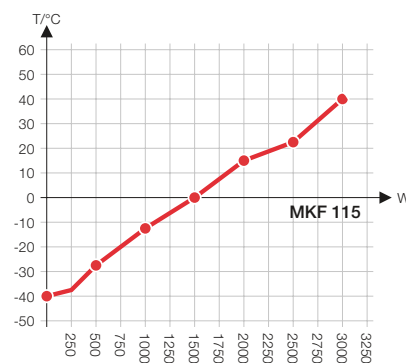
A: Standard Climate range  
B: Time-limited operation (max. 24 hours)

## HEAT COMPENSATION

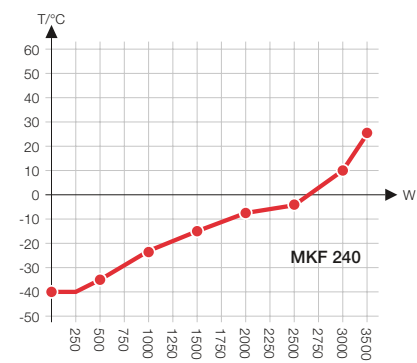
MKF 56



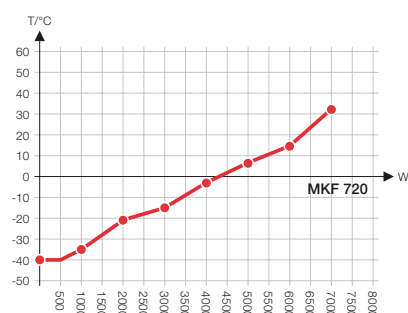
MKF 115



MKF 240

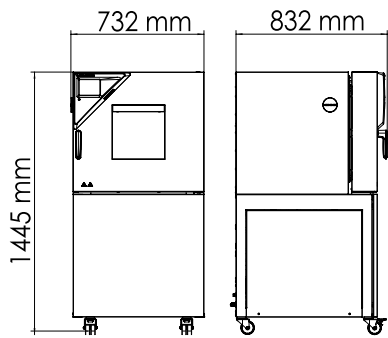


MKF 720

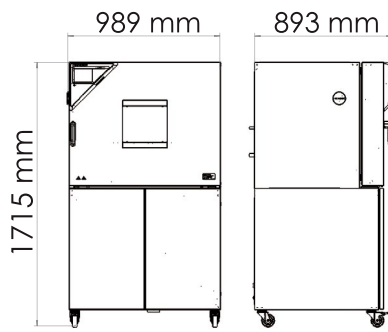


DIMENSIONS INCL. FITTINGS AND CONNECTIONS [MM]

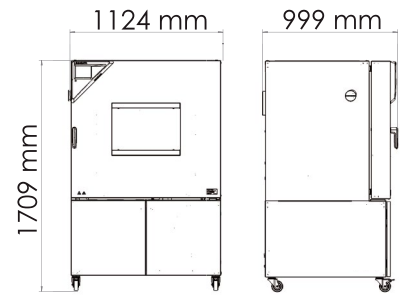
MKF 56



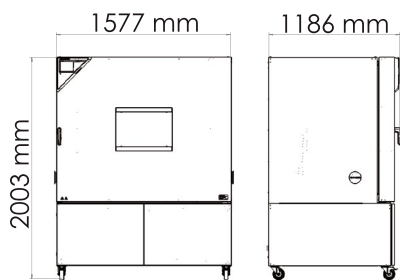
MKF 115



MKF 240



MKF 720



## Series MKT | for rapid temperature changes with extended low temperature range

Temperature ranges between -70 °C and 180 °C, with the added benefit of natural simulation, are what make the BINDER MKT series so unique. At the same time, this environmental simulation chamber fulfills the very highest precision and performance requirements for cyclical temperature tests.



Model MKT 240

### MAIN FEATURES

- Temperature range: -70 °C to 180 °C
- 4 zero-voltage relay contacts
- APT.line™ preheating chamber technology
- Programmable condensation protection for test material
- Heated viewing window with LED interior lighting
- BINDER Multi Management Software APT-COM™ Basic Edition
- Troubleshooting system with visual and audible alarms
- Intuitive touchscreen controller with time-segment and real-time programming
- Internal data logger, measured values can be read out in open format via USB
- Access port with silicone plug (Models 115, 240: 50 mm, left)

### AVAILABLE SIZES

Model	Interior volume [cu. ft.]	Online data sheets
MKT 115	4.1	› <a href="https://go2binder.com/us-MKT115">go2binder.com/us-MKT115</a>
MKT 240	8.0	› <a href="https://go2binder.com/us-MKT240">go2binder.com/us-MKT240</a>
MKT 720	25.9	› <a href="https://go2binder.com/us-MKT720">go2binder.com/us-MKT720</a>



### TIPS & TRICKS

Benefit from our many years of experience, as demonstrated in our technical papers:

- Tips & Tricks: › [go2binder.com/us-tips-tricks](https://go2binder.com/us-tips-tricks)  
 Case Studies: › [go2binder.com/us-case-studies](https://go2binder.com/us-case-studies)



Find all details online  
[go2binder.com/us-MKT](https://go2binder.com/us-MKT)

## TECHNICAL DATA

Description	MKT 115	MKT 240	MKT 720
<b>Outer dimensions</b>			
Width net [in]	38.61	43.9	62.3
Height net [in]	68	76.2	79
Depth net [in]	34.08	36.45	44.9
<b>Internal Dimensions</b>			
Width [in]	23.64	28.96	47.3
Height [in]	18.91	27.58	40.2
Depth [in]	15.76	17.45	23.64
<b>Measures</b>			
Interior volume [cu.ft.]	4.1	8	25.9
Net weight of the unit (empty) [lbs]	672	838	1345
permitted load [lbs]	132	154	353
Load per rack [lbs]	66	66	88
<b>Performance Data Temperature</b>			
Temperature range [°C]	-70...180	-70...180	-70...180
Temperature variation depending on setpoint [± K]	0.2...1.8	0.1...1	0.3...2
Temperature fluctuation depending on setpoint [± K]	0.1...0.6	0.1...0.4	0.1...0.5
Average heating-up rate according to IEC 60068-3-5 [K/min]	5.3	5.0	4.5
Average cooling down time according to IEC 60068-3-5 [K/min]	4.2	4.2	4.0
<b>Electrical data</b>			
Nominal power (version 400 V) [kW]	5.5	6.5	13
Nominal power (version 480 V) [kW]	5.5	6.5	13
<b>Fixtures</b>			
Number of shelves (std./max.)	1/4	1/6	1/11

## ORDERING INFORMATION [Art. No.]

**Further details:** Go to [www.binder-world.com](http://www.binder-world.com) > Search > Enter Article Number

Voltage	Option model	MKT 115	MKT 240	MKT 720
480 V 3~ 60 Hz	with voltage and frequency converter	9020-0363	9020-0364	9020-0365
400 V 3~ 50 Hz	Standard	9020-0385	9020-0386	9020-0387

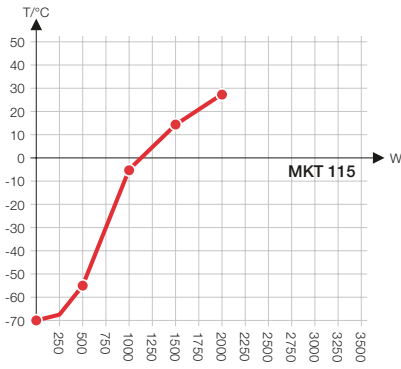
► You will find a selection of options, accessories and services suitable for each product on page 19

## EXTRACT OF FULLFILLED STANDARDS

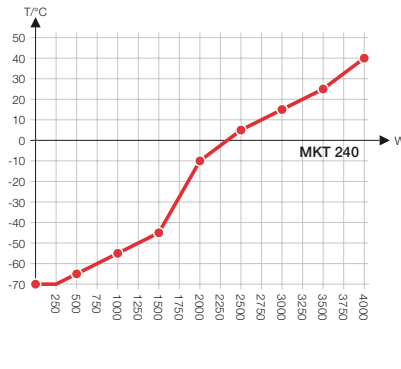
- DIN EN 60068-2-1: 2008-01
- DIN EN 60068-3-5:2002-12
- MIL STD 810:2000-01

HEAT COMPENSATION

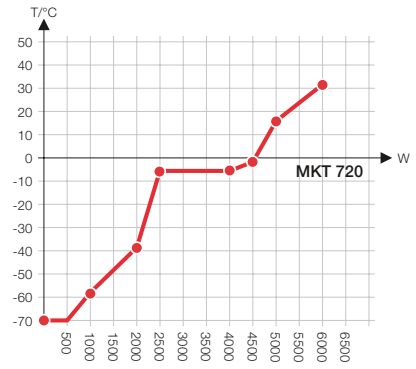
MKT 115



MKT 240

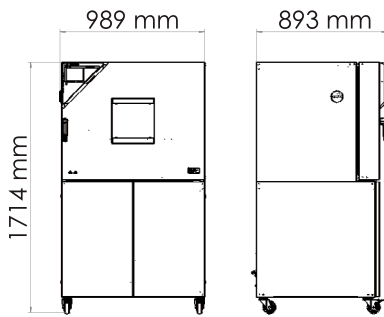


MKT 720

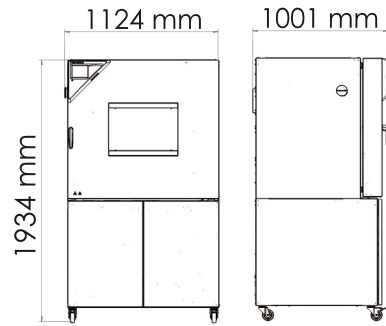


DIMENSIONS INCL. FITTINGS AND CONNECTIONS [MM]

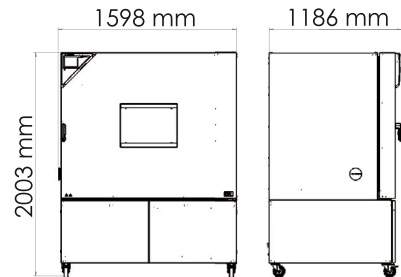
MKT 115



MKT 240



MKT 720



## Series MKFT | for rapid temperature changes with humidity control and extended low temperature range

The BINDER MKFT series environmental simulation chamber for low temperature alternating climate profiles is the specialist for dynamic alternating climate change between -70 °C and 180 °C. Large performance reserves and rapid cooling make the MKFT environmental simulation chamber the high-end product for complex standards-based climate tests.



Model MKFT 240

### MAIN FEATURES

- Temperature range: -70 °C to 180 °C
- Humidity range: 10 % to 98 % RH
- Integrated water-storage tank, 20 liters
- 4 zero-voltage relay contacts
- APT.line™ preheating chamber technology
- Programmable condensation protection for test material
- Intuitive touchscreen controller with time-segment and real-time programming
- Internal data logger, measured values can be read out in open format via USB
- Heated viewing window with LED interior lighting
- Humidity regulation with capacitive humidity sensor and vapor humidification

### AVAILABLE SIZES

Model	Interior volume [cu. ft.]	Online data sheets
MKFT 115	4.1	› <a href="https://go2binder.com/us-MKFT115">go2binder.com/us-MKFT115</a>
MKFT 240	8.0	› <a href="https://go2binder.com/us-MKFT240">go2binder.com/us-MKFT240</a>
MKFT 720	25.9	› <a href="https://go2binder.com/us-MKFT720">go2binder.com/us-MKFT720</a>

**i TIPS & TRICKS**

Benefit from our many years of experience, as demonstrated in our technical papers:

Tips & Tricks: › [go2binder.com/us-tips-tricks](https://go2binder.com/us-tips-tricks)

Case Studies: › [go2binder.com/us-case-studies](https://go2binder.com/us-case-studies)



Find all details online  
[go2binder.com/us-MKFT](https://go2binder.com/us-MKFT)



## TECHNICAL DATA

Description	MKFT 115	MKFT 240	MKFT 720
<b>Outer dimensions</b>			
Width net [in]	38.61	43.9	62.3
Height net [in]	68	76.4	79
Depth net [in]	34.08	36.45	44.9
<b>Internal Dimensions</b>			
Width [in]	23.64	28.96	47.3
Height [in]	18.91	27.58	40.2
Depth [in]	15.76	17.45	23.64
<b>Measures</b>			
Interior volume [cu.ft.]	4.1	8	25.9
Net weight of the unit (empty) [lbs]	728	915	1400
permitted load [lbs]	132	154	353
Load per rack [lbs]	66	66	88
<b>Performance Data Temperature</b>			
Temperature range [°C]	-70...180	-70...180	-70...180
Temperature variation depending on setpoint [± K]	0.1...1.3	0.2...1.8	0.3...2
Temperature fluctuation depending on setpoint [± K]	0.1...0.1	0.1...0.5	0.1...0.1
Average heating-up rate according to IEC 60068-3-5 [K/min]	5.5	5.0	4.8
Average cooling down time according to IEC 60068-3-5 [K/min]	4.2	4.2	4.0
<b>Performance Data Climate</b>			
Temperature range [°C]	10...95	10...95	10...95
Temperature fluctuation depending on setpoint [± K]	0.1...1	0.1...1.5	0.1...1
Humidity range [% RH]	10...98	10...98	10...98
Humidity fluctuation depending on setpoint [± % RH]	≤2,5	≤2,5	≤2,5
<b>Electrical data</b>			
Nominal power (version 400 V) [kW]	5.0	6.0	11.0
Nominal power (version 480 V) [kW]	5.0	6.0	11.0
<b>Fixtures</b>			
Number of shelves (std./max.)	1/4	1/6	1/11

## ORDERING INFORMATION [Art. No.]

**Further details:** Go to [www.binder-world.com](http://www.binder-world.com) > Search > Enter Article Number

Voltage	Option model	MKFT 115	MKFT 240	MKFT 720
480 V 3~ 60 Hz	with voltage and frequency converter	9020-0362	9020-0361	9020-0360
400 V 3~ 50 Hz	Standard	9020-0382	9020-0383	9020-0384

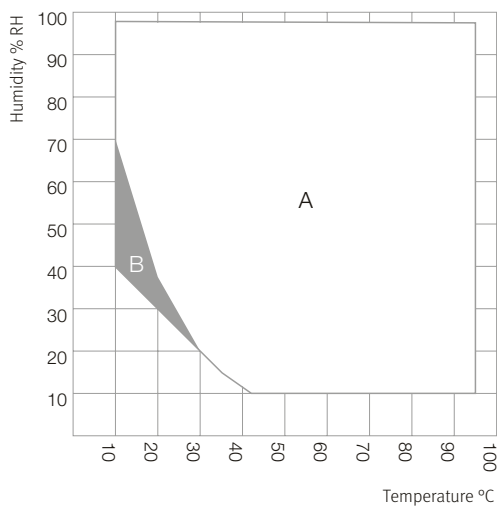
► You will find a selection of options, accessories and services suitable for each product on page 19

## EXTRACT OF FULLFILLED STANDARDS

- DIN EN 60068-2-30: 2006-06
- DIN EN 60068-2-38: 2010-06
- DIN EN 60068-2-1: 2008-01
- MIL STD 331:2005-01
- DIN EN 60068-3-6:2002-12

## TEMPERATURE-HUMIDITY CHART

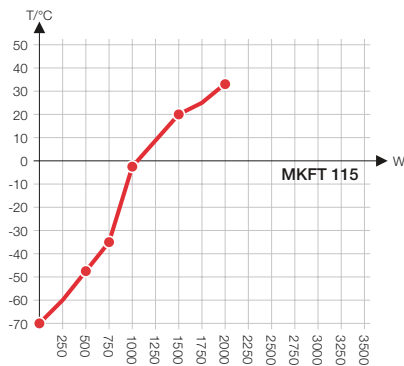
MKFT 115, MKFT 240, MKFT 720



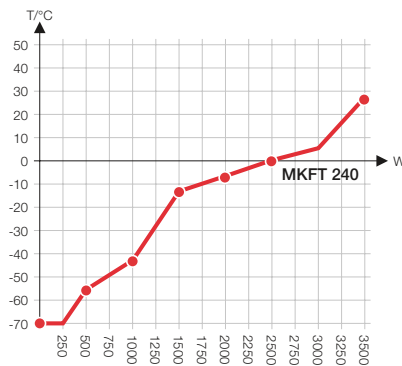
A: Standard Climate range  
B: Time-limited operation (max. 24 hours)

## HEAT COMPENSATION

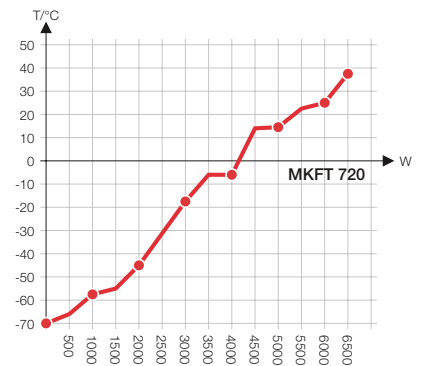
MKFT 115



MKFT 240

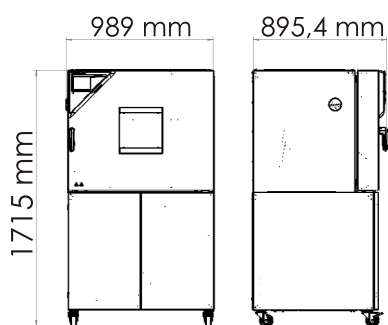


MKFT 720

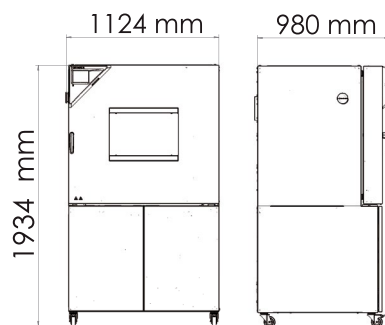


## DIMENSIONS INCL. FITTINGS AND CONNECTIONS [MM]

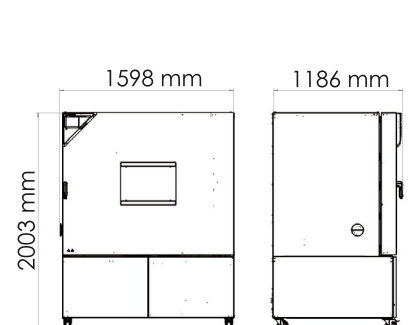
MKFT 115



MKFT 240



MKFT 720



## EXCERPT FROM OPTIONS AND ACCESSORIES

### Access port with silicone plug

For introducing external measuring instruments. Large selection of different diameters and positions (left, right, or top)

Series MK, MKF, MKT, MKFT

### BINDER PURE AQUA SERVICE

System for preparation or complete desalination of tap water, complete set containing PURE AQUA 300 single-use cartridge, measuring device, and all necessary connecting parts

Series MK, MKF, MKT, MKFT

### Dry-air purge

Suitable for simulating a dry, cold climate. In the MKF and MKFT series with controlled humidity, the temperature-humidity chart is significantly expanded, while the option of simulating current automobile industry standards, such as PV 2005; PV 1200; PR 308.2, is also available.

Series MK, MKF, MKT, MKFT

### Services

You can access our installation, maintenance, calibration, validation, or warranty services by taking out a Maintenance Service Agreement or by simply getting in touch when you need us. More information is available in the accessories and services chapter.

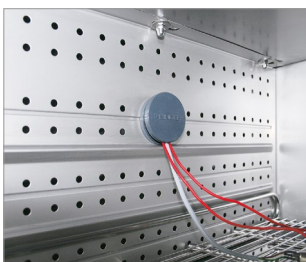
Series MK, MKF, MKT, MKFT

### BINDER INDIVIDUAL

Using a BINDER series production product as a basis, we develop individual solutions as a single unit or in small batches. All products are tested, certified, and supplied with a full functional guarantee and warranty. More information is available in the accessories and services chapter.

Series MK, MKF, MKT, MKFT

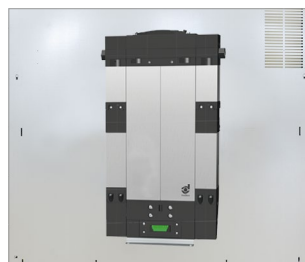
► All extras online [go2binder.com/us-options](http://go2binder.com/us-options)



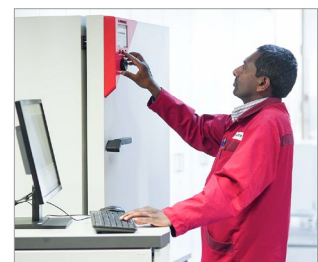
Access port with silicone plug



BINDER PURE AQUA Service



Dry-air purge



Services

# BINDER products

CO<sub>2</sub> incubators

Incubators

Refrigerated incubators

Growth chambers

Ultralow temperature freezers

Drying and heating chambers

Safety drying chambers

Vacuum drying chambers

Humidity test chambers

Dynamic climate chambers



Never miss a product update -

Subscribe and keep up to speed with  
the BINDER monthly newsletter.

**Subscription**

[go2binder.com/us-newsletter-subscription](http://go2binder.com/us-newsletter-subscription)



Best conditions for your success

## **BINDER GmbH**

Tuttlingen, Germany

Tel +49 7462 2005 0  
Fax +49 7462 2005 100  
info@binder-world.com  
www.binder-world.com

## **BINDER Asia Pacific (Hong Kong) Ltd.**

Kowloon, Hong Kong, P.R. China

Tel +852 39070500  
Fax +852 39070507  
asia@binder-world.com  
www.binder-world.com

## **Representative Office for CIS**

Moscow, Russia

Tel +7 495 988 15 16  
Fax +7 495 988 15 17  
russia@binder-world.com  
www.binder-world.ru

## **BINDER Environmental Testing Equipment (Shanghai) Co., Ltd.**

Shanghai, P.R.China

Tel +86 21 685 808 25  
Fax +86 21 685 808 29  
china@binder-world.com  
www.binder-world.com

## **BINDER Inc.**

Bohemia, NY, USA

Tel +1 631 224 4340  
Fax +1 631 224 4354  
usa@binder-world.com  
www.binder-world.us