



SmartDRY™



www.smartdry.com

SmartDRY™

Intelligent Dry Storage™



SmartDRY™ desiccant dry cabinet, for the storage of surface-mount technology (SMT) components with a Moisture Sensitive Level (MSL), intelligently maintains a low relative humidity (RH) as required by the IPC standard J-STD-033 while preventing electrostatic discharge (ESD) using durable electrically conductive powder paint surfaces over steel construction.

Fully network-capable with mobile connectivity and total accessibility from any networked device, ECD's SmartDRY™ Intelligent Dry Storage technology enables compatibility with smart factory, Industry 4.0 operations.

SmartDRY™ introduces a new level of recovery performance of less than 3 minutes to provide constant access to stored parts.

Unique interior "glow lighting" provides a bright white flood of light on command for inspection of contents and intelligently alters color to correspond with **Compliant** (Green), **Working** (Yellow), and **Alert** (Red) status that can be monitored at a glance.



J-STD

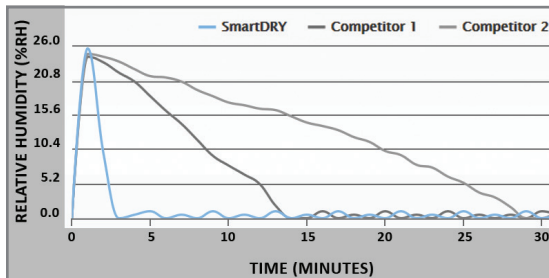
J-STD Performance

Achieves more than just compliance with innovative regeneration



Fast Recovery Time

Market-leading recovery time of less than 3 minutes provides constant access to stored parts. Exceptional, self-regulating drying technology allows assembly specialists to retrieve critical moisture-sensitive components from dry storage as many as 10 to 12 times per hour. That's more than twice the access of competitive dry cabinets.



Recovery Rate Comparison

Intelligent Light Status

Immediate visual confirmation of dry storage status means no more guessing about cabinet readiness. A simple glance at SmartDRY™ and its green, amber or red interior lighting tells operators if the unit can be accessed. It's simple, effective and smart. An optional light tower can be integrated for visual status confirmation from across the factory floor.



Exceptional Quality

Designed by trusted electronics innovator ECD and quality-built in the U.S.A.



Network Capable

Industry 4.0 Ready - Integrated SmartDRY™ network capability tracks performance and events from one or many ECD SmartDRY™ storage cabinets. Access dry storage data 24/7 from any internet-enabled device.



Standard feature for all SmartDRY™ models



OK

In compliance with J-STD-033

WORKING

SmartDRY™ Intelligent recovery in process

ALERT

Requires attention

Display

4.3" TFT LCD

Full color HD touch screen display makes controlling SmartDRY easier than ever before.

Easy-to-use

Quick access to all control functions:

- Light and Mute Alarm
- Modes: SmartDRY™ and SmartBAKE™
- Graph: RH and Temperature Histogram

SmartBAKE™ Mode (SD-10SB, E58-7310-10)

Eliminate time-consuming and complicated calculations for bake cycles. SmartDRY's Intelligent SmartBAKE™ feature automatically establishes J-STD-033 compliant bake times based on a component's MSL level, thickness and exposure time over floor life.

J-STD-033

Easily and automatically establish bake time and temperature (40°C), based on the J-STD MSL level and component size, making tables or calculations unnecessary.

Manual Bake

Manually adjust max temperature (40-60°C), humidity and time. Unlike traditional standalone baking ovens the SD-10SB with baking option is still a dry cabinet and will not re-expose your components to humidity once the bake cycle is over.

Overview



Restores floor life

SmartDRY™ maintains safe storage thru controlled humidity during SmartBAKE™



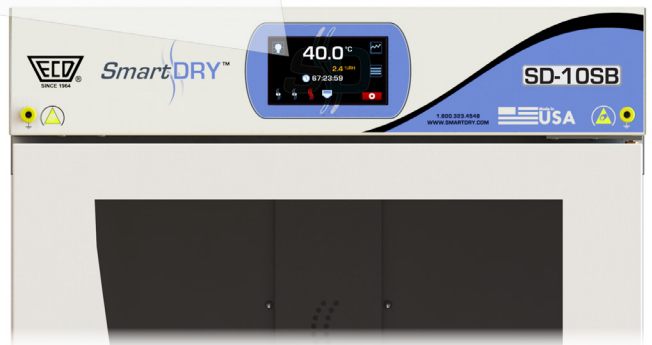
Flexible bake cycle programming

Bake to J-STD-033 automatically or manually set temperature, humidity and time



Maximizes the SmartDRY™ investment

Combines storage and bake-out in a single, compact footprint



ESD Safety

Completely ESD safe, SmartDRY™ offers everything manufacturers need to stay within standard on ESD compliance.

- Meet applicable portions of ESD20.20/IEC 61340-5-1
- Anti-Static surface resistance $\leq 1 \times 10^{12} \Omega/\text{sq}$
- 2 ea - 1/8" Wrist Strap Jacks
- Earth ground point
- Drag chain



SD-10

The SD-10 has storage capacity of 283 liters (10 cu ft - 2 doors, floor shelf) in a 45"H x 20"W x 30"D footprint and offers built-in network capability and a user friendly TFT LCD control display.

- SmartDRY™ Dry Cabinet
- Floor Shelf Only
 - Shelf & Rack Options (Fixed & Pull-Out): Flat Shelf, 7" Reel Rack & 7"/15" Combo Reel Rack
- Users Guide
- Quick Reference Guide
- ECD Warranty (2 Years)

| | |
|--------------|-----------------|
| Part Number | E55-7310-00 |
| Doors | 2 |
| Door Opening | 18.0"W x 17.5"H |



SD-10SB

This SD-10 includes SmartBAKE™ which incorporates a powerful heater and insulation for baking out your components. It has storage capacity of 283 liters (10 cu ft - 2 doors, floor shelf) in a 45"H x 20"W x 30"D footprint and offers built-in network capability and a user friendly TFT LCD control display.

- SmartDRY™ Dry Cabinet
- SmartBAKE™ (40-60°C bake heater)
- Floor Shelf Only
 - Shelf & Rack Options (Fixed & Pull-Out): Flat Shelf, 7" Reel Rack & 7"/15" Combo Reel Rack
- Users Guide
- Quick Reference Guide
- ECD Warranty (2 Years)

| | |
|--------------|-----------------|
| Part Number | E58-7310-10 |
| Doors | 2 |
| Door Opening | 18.0"W x 17.5"H |



SD-30

The SD-30 has storage capacity of 850 liters (30 cu ft - 6 doors, floor shelf) in a 70"H x 40"W x 30"D footprint and offers built-in network capability and a user friendly TFT LCD control display.

- SmartDRY™ Dry Cabinet
- Floor Shelf Only
 - Shelf & Rack Options (Fixed & Pull-Out): Flat Shelf, 7" Reel Rack & 7"/15" Combo Reel Rack
- Users Guide
- Quick Reference Guide
- ECD Warranty (2 Years)

| | |
|--------------|-----------------|
| Part Number | E55-7330-00 |
| Doors | 6 |
| Door Opening | 18.0"W x 17.5"H |



SD-30XD

The SD-30XD has storage capacity of 850 liters (30 cu ft) with 2 tall doors facilitate easy accessibility for feeder trays in a 70"H x 40"W x 30"D footprint and offers built-in network capability and a user friendly TFT LCD control display.

- SmartDRY™ Dry Cabinet
- Floor Shelf Only
 - Shelf & Rack Options (Fixed & Pull-Out): Flat Shelf, 7" Reel Rack & 7"/15" Combo Reel Rack
- Users Guide
- Quick Reference Guide
- ECD Warranty (2 Years)

| | |
|--------------|------------------|
| Part Number | E57-7339-00 |
| Doors | 2 |
| Door Opening | 18.0"W x 57.25"H |



SD-48F

The SD-48F has storage capacity of 1360 liters (48 cu ft - 6 doors, floor shelf) in a 70"H x 40"W x 47"D footprint that is capable of holding feeders and offers built in network capability and a user friendly TFT LCD control display.

- SmartDRY™ Dry Cabinet
- Floor Shelf Only
 - Shelf & Rack Options (Fixed & Pull-Out): Flat Shelf
- Users Guide
- Quick Reference Guide
- ECD Warranty (2 Years)

| | |
|---------------------|-----------------|
| Part Number | E55-7483-00 |
| Doors | 6 |
| Door Opening | 18.0"W x 17.5"H |



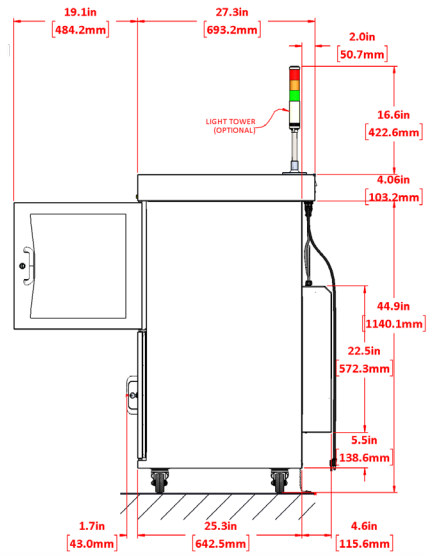
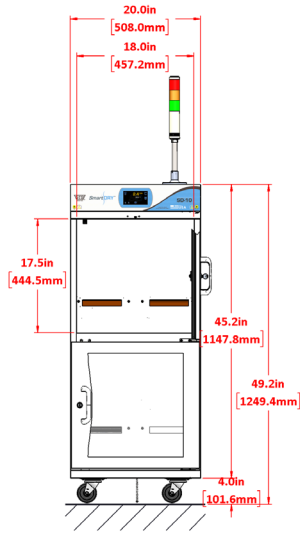
SD-48FXD

The SD-48FXD has storage capacity of 1360 liters (48 cu ft). 2 tall doors facilitate easy accessibility for feeder trays in a 70"H x 40"W x 47"D footprint that is capable of holding feeders and offers built in network capability and a user friendly TFT LCD control display.

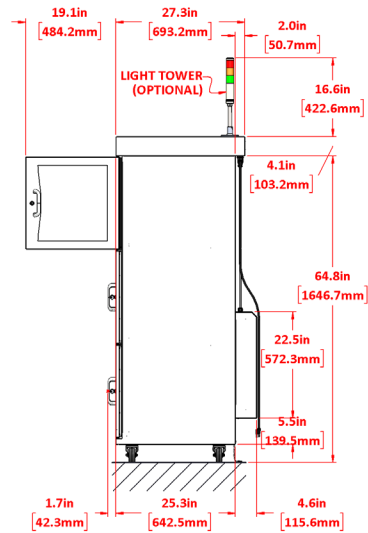
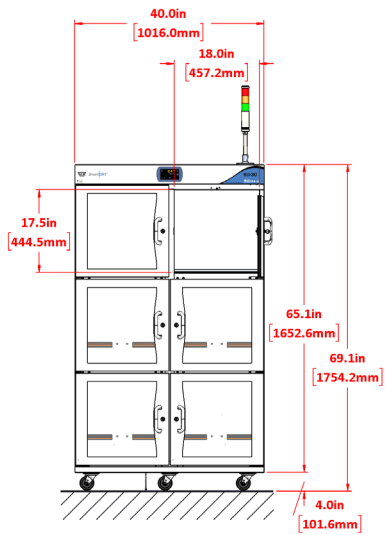
- SmartDRY™ Dry Cabinet
- Floor Shelf Only
 - Shelf & Rack Options (Fixed & Pull-Out): Flat Shelf
- Users Guide
- Quick Reference Guide
- ECD Warranty (2 Years)

| | |
|---------------------|------------------|
| Part Number | E57-7489-00 |
| Doors | 2 |
| Door Opening | 18.0"W x 57.25"H |

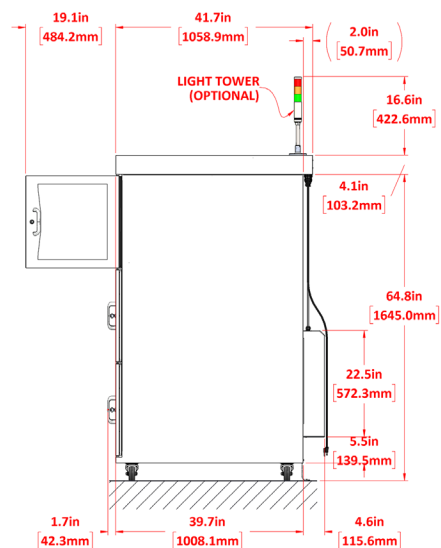
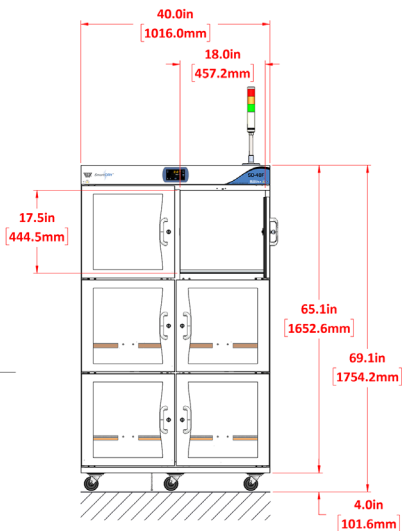
SD-10/SD-10SB



SD-30/SD-30XD



SD-48F/SD-48FXD



| Specification | Value | Specification | Value |
|---------------------------------|--|------------------------------|--|
| External Dimensions (H x W x D) | 1143 mm x 508 mm x 762 mm (45" x 20" x 30") | Recovery Time | < 3 minutes |
| Internal Dimension (H x W x D) | 985 mm x 479 mm x 540mm (38.8" x 18.8" x 21.2") | Power Consumption (Average) | 10W Standby, 450W Max., 15W/Hr Ave. (1050W Peak w/ SmartBAKE Option) |
| Internal Capacity | 283 liters (10 cu ft) | Display Resolution (RH/Temp) | 0.1% / 0.1 °C (0.1 °F) |
| Number of Shelves | 1 Floor Shelf | Accuracy (RH/Temp) | ± 1.8% / ± 1 °C (1.8 °F) |
| Maximum Shelf Capacity | 22 kg (50 lbs) | Casters | 76.2 mm (3") Diameter |
| Maximum Cabinet Capacity | 68 kg (150 lbs) | Cabinet Weight | < 70 kg (154 lbs) |

SD-10/SD-10SB

| Specification | Value | Specification | Value |
|---------------------------------|---|------------------------------|--|
| External Dimensions (H x W x D) | 1778mm x 1016mm x 762mm (70" x 40" x 30") | Recovery Time | < 4 minutes |
| Internal Dimension (H x W x D) | 1500mm x 990mm x 540mm (59" x 38.9" x 21.2") | Power Consumption (Average) | 25W Standby, 850W Max., 30 W/Hr Average |
| Internal Capacity | 850 liters (30 cu ft) | Display Resolution (RH/Temp) | 0.1% / 0.1 °C (0.1 °F) |
| Number of Shelves | 2 Floor Shelves | Accuracy (RH/Temp) | ± 1.8% / ± 1 °C (1.8 °F) |
| Maximum Shelf Capacity | 22 kg (50 lbs) | Casters | 76.2 mm (3") Diameter |
| Maximum Cabinet Capacity | 113 kg (250 lbs) | Cabinet Weight | < 163kg (360 lbs) |

SD-30/SD-30XD

| Specification | Value | Specification | Value |
|---------------------------------|---|------------------------------|--|
| External Dimensions (H x W x D) | 1778mm x 1016mm x 1194mm (70" x 40" x 47") | Recovery Time | < 5 minutes |
| Internal Dimension (H x W x D) | 1500mm x 990mm x 914mm (59" x 38.9" x 36") | Power Consumption (Average) | 25W Standby, 850W Max., 40 W/Hr Average |
| Internal Capacity | 1360 liters (48 cu ft) | Display Resolution (RH/Temp) | 0.1% / 0.1 °C (0.1 °F) |
| Number of Shelves | 2 Floor Shelves | Accuracy (RH/Temp) | ± 1.8% / ± 1 °C (1.8 °F) |
| Maximum Shelf Capacity | 22 kg (50 lbs) | Casters | 76.2 mm (3") Diameter |
| Maximum Cabinet Capacity | 113 kg (250 lbs) | Cabinet Weight | <211kg (464 lbs) |

SD-48F/SD-48FXD

Shelf & Rack Options - Cabinet shelves for most of your common parts bins, boxes and reels.



Fixed

Shelf

- Horizontal shelf surface
- Kit includes Shelf and two fixed shelf supports
- Minimum Distance between shelves (all models):
 - Fixed: 22mm [0.87in]
 - Fixed to Pull-Out: 42mm [1.65in]

Part Number

E56-7379-23

E55-7483-23

Dimension (wide x deep)

18.8" x 20.9" (478mm x 531mm)

18.8" x 36.0" (478mm x 914mm)

Fits

SD-10, SD-10SB, SD-30 & SD-30XD

SD-48F & SD-48FXD



Fixed

7" Reel Rack

- Vertical storage of 13/15" and 7" diameter SMT components reels on one rack
- Three rows of up to 24 reels each for up to 72 reels (8mm wide tape)
- Fixed width reel supports at 48mm (1.9") inside dimension
- Welded wire supports prevents loss

Part Number

E56-7379-23-107

Dimension (wide x deep)

16.7" x 20.8" (424mm x 528mm)

Fits

SD-10, SD-10SB, SD-30 & SD-30XD



Fixed

7"/15" Combo Reel Rack

- Vertical storage of 13/15" and 7" diameter SMT components reels on one rack
- Two rows (one for 7" and one for 13/15") of up to 24 reels (8mm wide tape)
- Fixed width reel supports at 48mm (1.9") inside dimension
- Welded wire supports prevents loss

Part Number

E56-7379-23-175

Dimension (wide x deep)

16.7" x 20.8" (424mm x 528mm)

Fits

SD-10, SD-10SB, SD-30 & SD-30XD

Shelf & Rack Options - Cabinet shelves for most of your common parts bins, boxes and reels.



Pull-out

Shelf

- Horizontal shelf surface
- Durable ball bearing track with full 22" pull-out travel
- Kit Includes the Shelf and two pull-out shelf supports
- Minimum Distance between shelves (all models):
 - Pull-out: 57mm [2.25in]
 - Pull-out to Fixed: 37mm [1.47in]

Part Number

E56-7379-23-200

E56-7483-23-200

Dimension (wide x deep)

16.8" x 20.9" (427mm x 531mm)

16.8" x 36.0" (427mm x 914mm)

Fits

SD-10, SD-10SB, SD-30 & SD-30XD

SD-10, SD-10SB, SD-30 & SD-30XD



Pull-out

7" Reel Rack

- Vertical storage of 7" diameter SMT component reels
- Durable ball bearing track with full 22" pull-out travel
- Three rows of up to 24 reels each for up to 72 reels (8mm wide tape)
- Fixed width reel supports at 48mm (1.9") inside dimension
- Welded wire supports prevents loss

Part Number

E56-7379-23-207

Dimension (wide x deep)

16.7" x 20.8" (424mm x 528mm)

Fits

SD-10, SD-10SB, SD-30 & SD-30XD



Pull-out

7"/15" Combo Reel Rack

- Vertical storage of 13/15" and 7" diameter SMT components reels on one rack
- Durable ball bearing track with full 22" pull-out travel
- Two rows (one for 7" and one for 13/15") of up to 24 reels (8mm wide tape)
- Fixed width reel supports at 48mm (1.9") inside dimension
- Welded wire supports prevents loss

Part Number

E56-7379-23-275

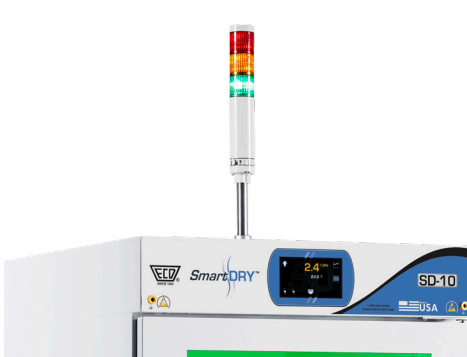
Dimension (wide x deep)

16.7" x 20.8" (424mm x 528mm)

Fits

SD-10, SD-10SB, SD-30 & SD-30XD

Cabinet Options



Light Alarm Tower

- While the cabinet comes standard with a unique interior lighting system to indicate the cabinet's status, a light alarm tower can be added for additional visibility. For situations where the cabinet status requires confirmation from across the factory floor or from the rear of the system, the light alarm tower provides a 360° view.

Part Number

E55-7379-74

Colors:

Red, Yellow, Green

Fits

SD-10, SD-10SB, SD-30, SD-30XD, SD-48F & SD-48FXD



Combination Door Locks

- Secure keyless entry functionality eliminates worry about lost keys or non-authorized access.

Part Number

P57-7850-34

Dials:

3 (Resettable)

Fits

SD-10, SD-10SB, SD-30, SD-30XD, SD-48F & SD-48FXD

| | | | | |
|--|--|---|---|---|
|  | <p>ECD WORLD HEADQUARTERS (North America - US, Canada) 4287-B SE International Way Milwaukie, Oregon 97222 U.S.A. Tel: +1 800 323 4548 E-Mail: sales@ecd.com Web: www.ecd.com</p> | <p>APAC (Asia-Pacific, China, India) Singapore Office Mobile: +65 9692 6822 E-Mail: ecd.asia@ecd.com</p> | <p>EMEA (Europe, Middle East, Africa) UK Office Mobile: +44 (0) 7903 252560 E-Mail: ecd.europe@ecd.com</p> | <p>LATAM (Mexico, Central, South America) Houston, TX U.S.A. Office Phone: +1 503 659 6100 x 250 Mobile: +1 832 533 0046 E-Mail: ecd.latam@ecd.com</p> |
|--|--|---|---|---|

• Award winning products, service & software • No-cost ECD Online Training •

Accredited Lab



Member of



Awards



Social Networks

